

# WHEEL



LESU  
MODEL RACING

# LOADER 1/15 SCALE

RD-A0001

**TecniModel.com**  
www.tecnimodel.com  
mail: [tecnimodel@tecnimodel.fr](mailto:tecnimodel@tecnimodel.fr)  
tel: 04 75 03 13 87



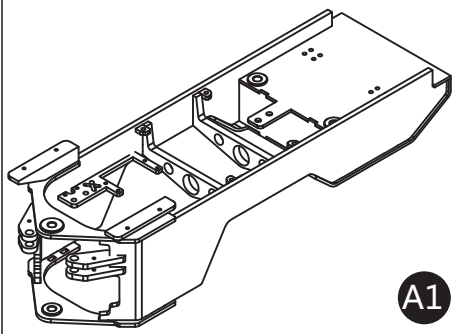
**HYDRAULIC WHEEL  
LOADER MODEL**



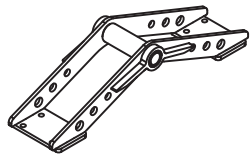
**NEW DECELERAT  
AXLE**

[WWW.RCLESU.COM](http://WWW.RCLESU.COM)

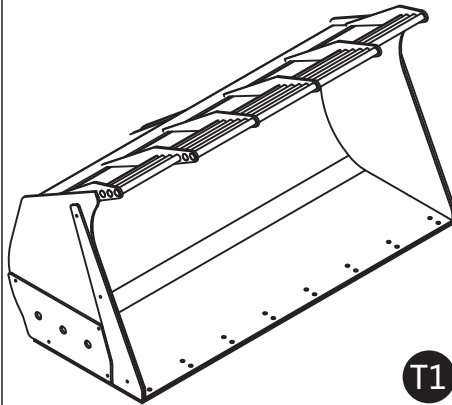
# PARTS



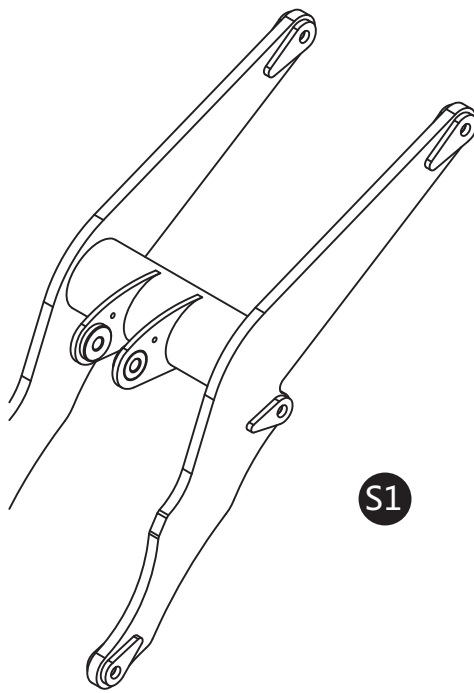
A1



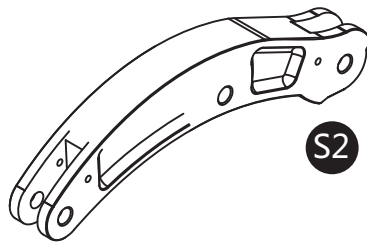
A2



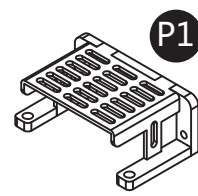
T1



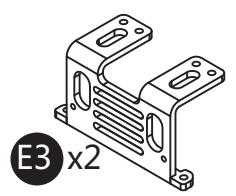
S1



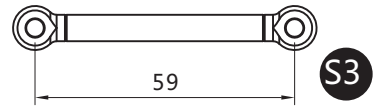
S2



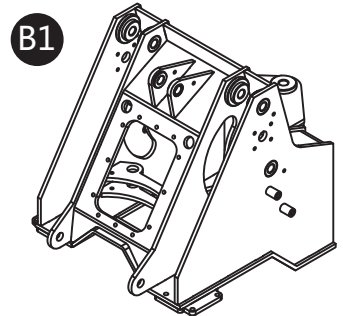
P1



E3 x2



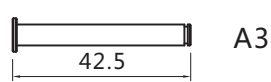
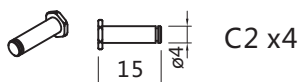
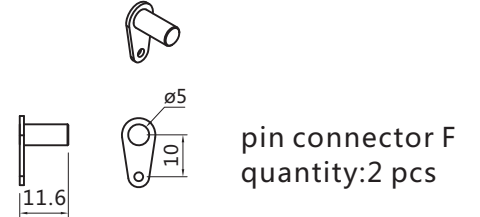
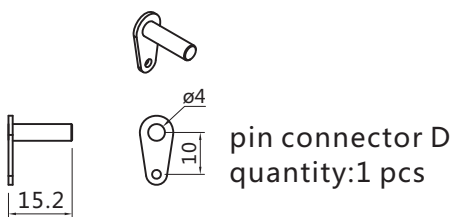
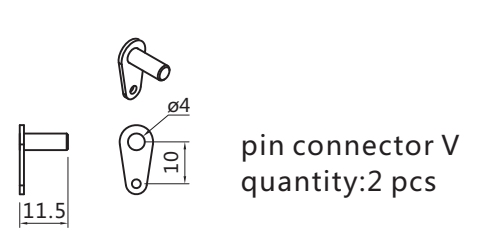
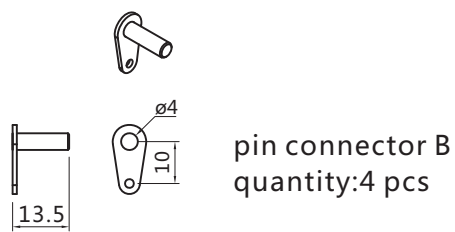
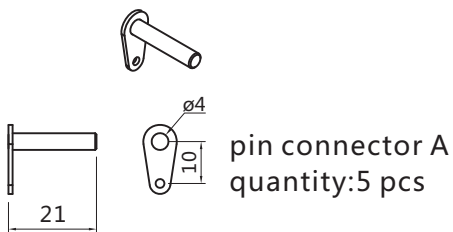
S3

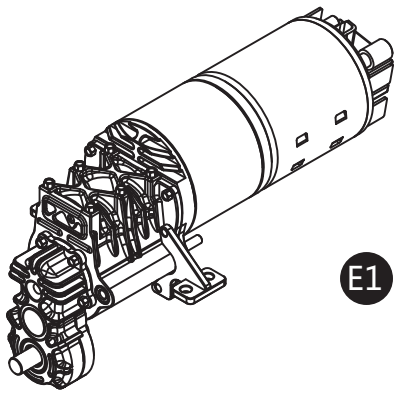


B1



T2 x8

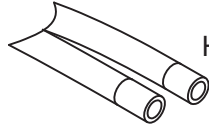




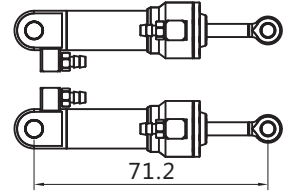
E1



H1 Bourdon tube  
ø5 1.2M

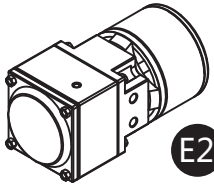


H2 oil pipe 3M



B3L

B3R



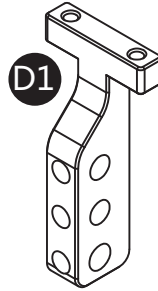
E2



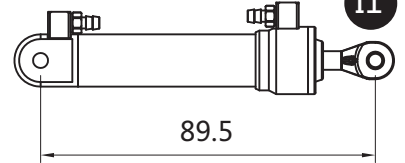
P2



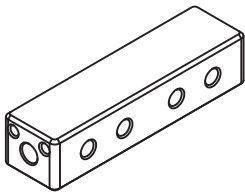
H3 x20



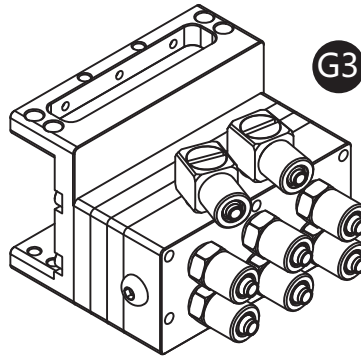
D1



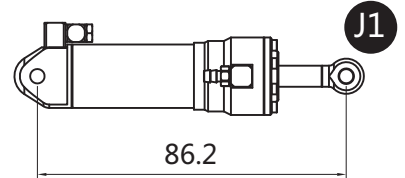
I1



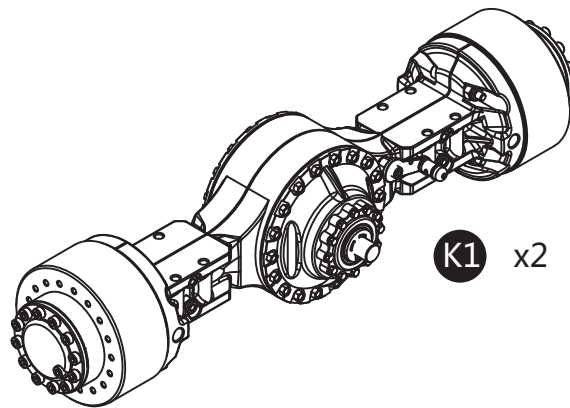
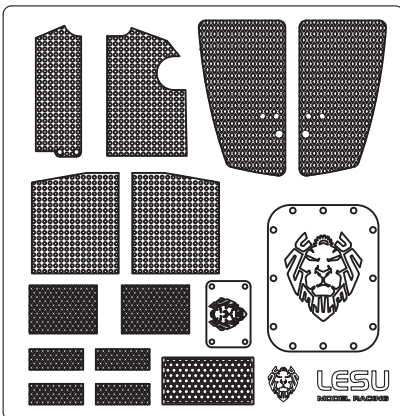
F1 x2



G3



J1



K1 x2



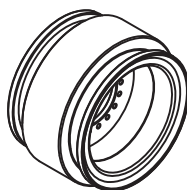
L2



N1 Bourdon tube ø2 0.8M



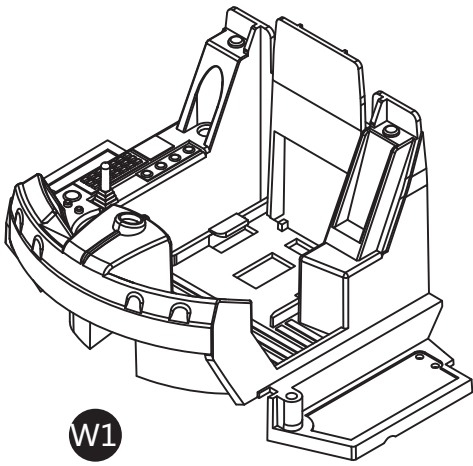
N2 Steel rope 0.8M



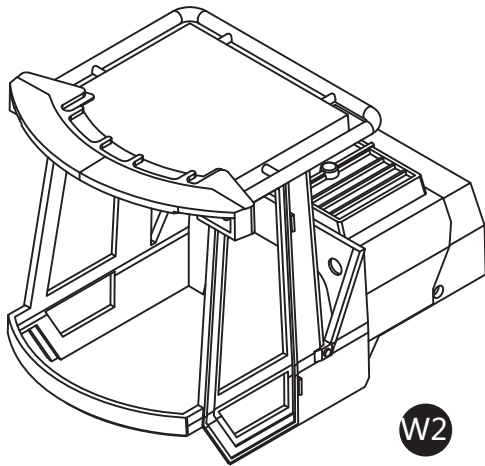
V2 x4



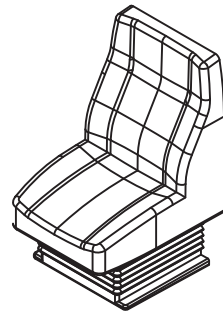
V1 x4



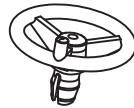
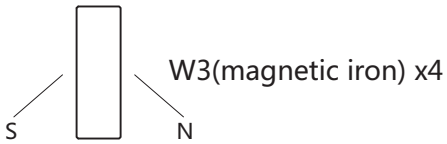
W1



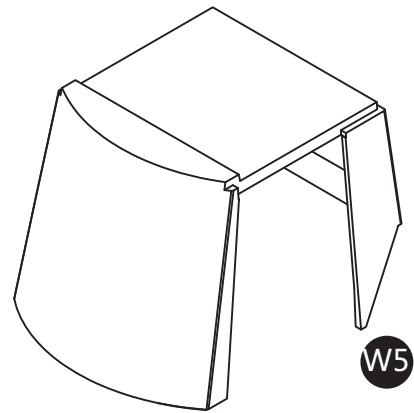
W2



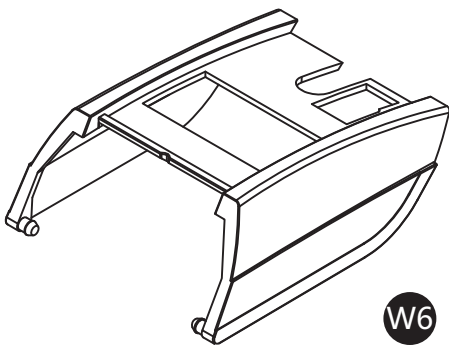
W3



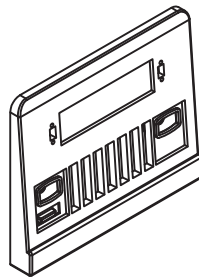
W4



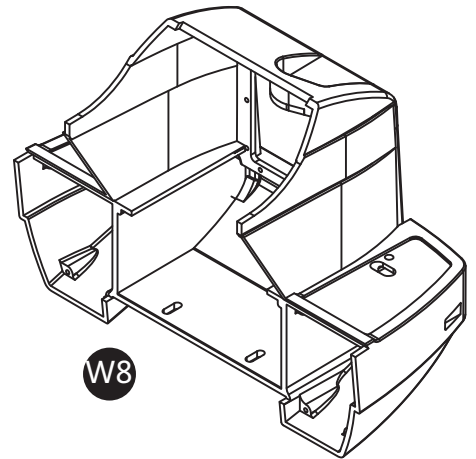
W5



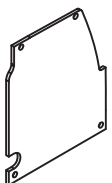
W6



W7



W8



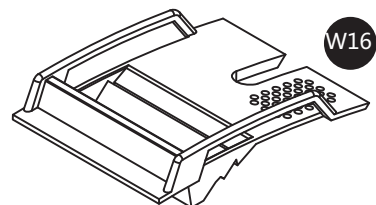
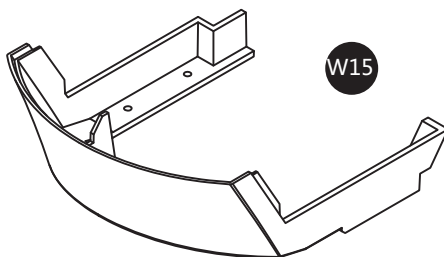
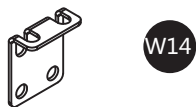
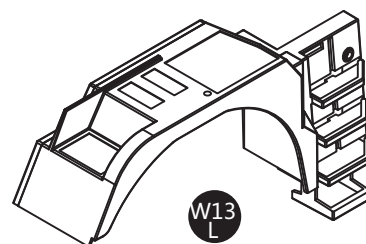
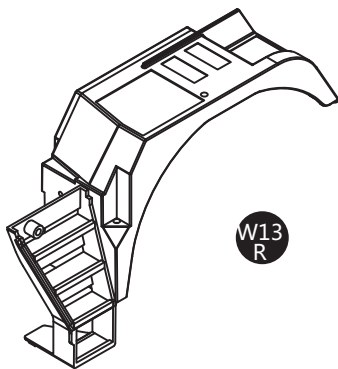
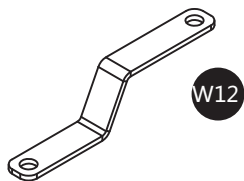
W9 x2



W10

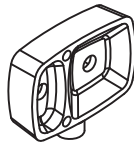


W11

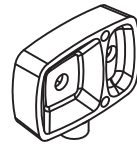




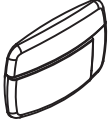
W17 x2



W17 L



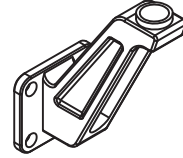
W17 R



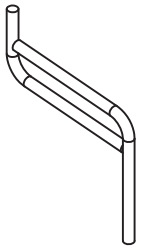
W18 L



W18 L



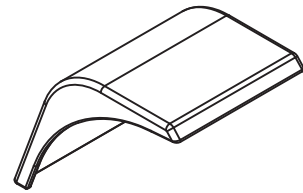
W19 x2



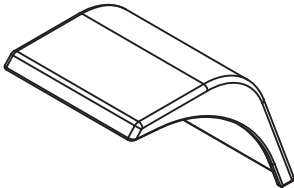
W20 x2



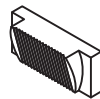
W21 x2



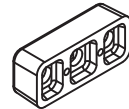
W22 L



W22 R



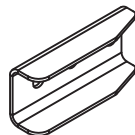
W23 x2



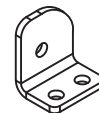
W24 x2



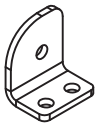
W25 x2



W26 x2



W27 L



W27 R

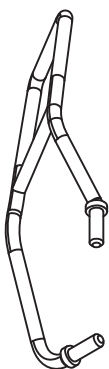


W28 x2

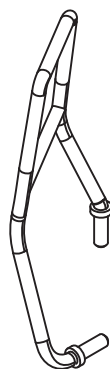


W30 x2

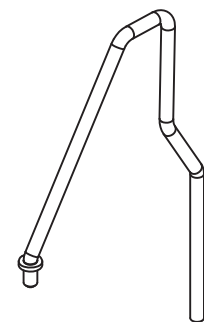
W29 x2









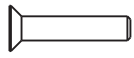

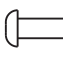
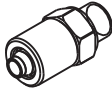

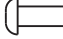
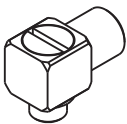

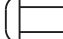







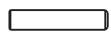







W31



W32

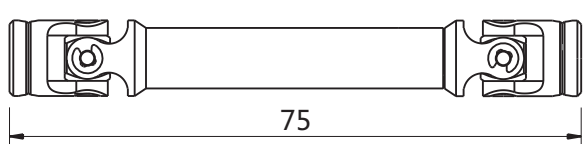


W33 x2

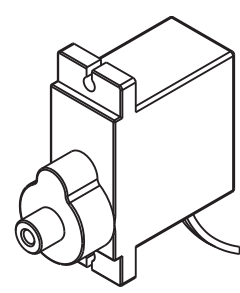
 M1.6-4      ×6	 M2-3	 M3 nozzle    ×8
 M1.6-6      ×72	 M2-5          ×28	 M3 nozzle    ×2
  M1.6-8    ×16	 M2-6          ×7	 M5 nozzle    ×4
 M2-4 hexagonal screw ×45	 M2-8          ×5	 M5 nozzle    ×4
 M2-6 hexagonal screw ×8	 M3-6          ×14	 M1.6          ×16
 M2-4          ×3	 M3-4 set screw ×4	 M2 locknut   ×24
 M2-20        ×12	 M3-6 set screw ×4	 M2            ×4
 M2.5-10 set screw	 7.3×4.1*0.5 gasket ×4	 ESC            ×1
 5*11*5 Flange bearing ×2	 ø3 E button    ×4	 Hydraulic ESC    ×1
 M2 Joint bearing ×2	 ø4 E button    ×1	



Q1 65-80

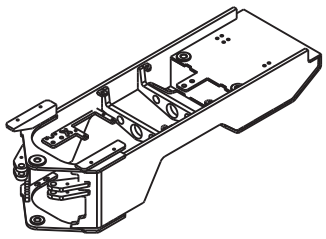


Q2 75-105

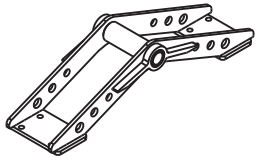


MG-90S SERVO ×5

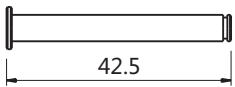
1



A1



A2



A3

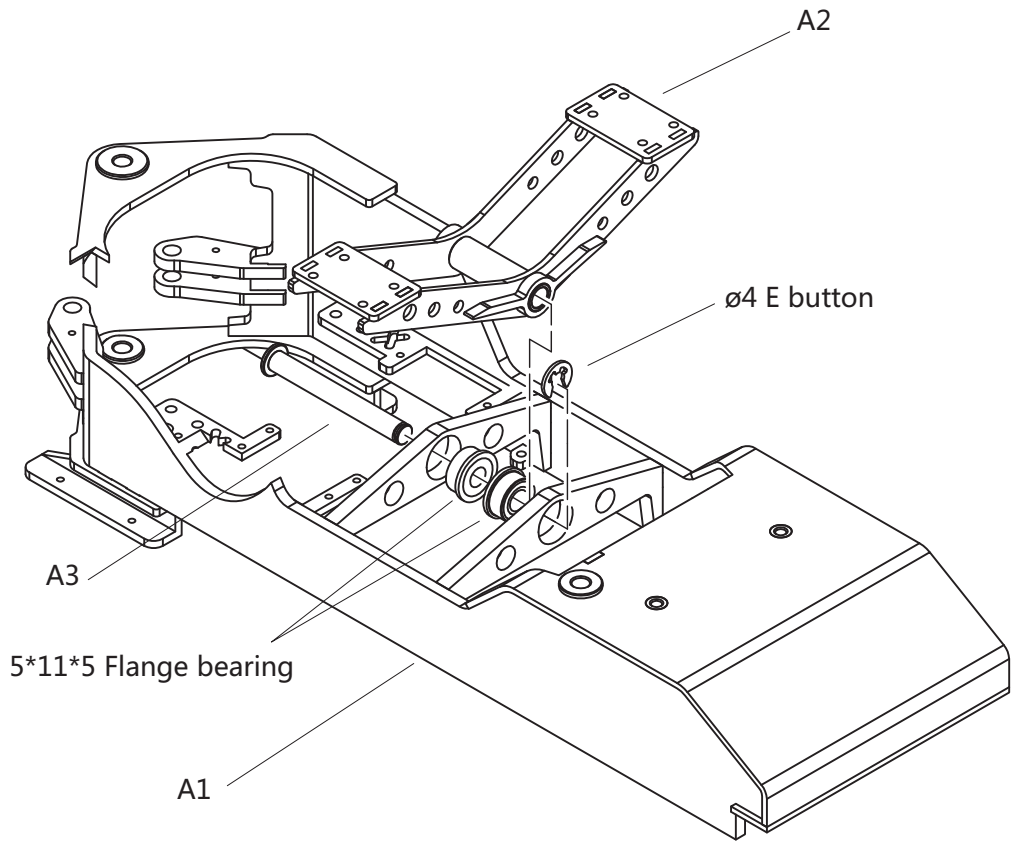


5\*11\*5 Flange bearing  
x2

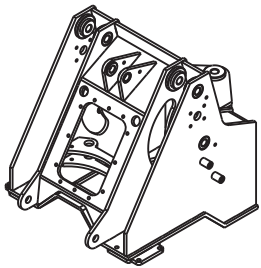


ø4 E button x1

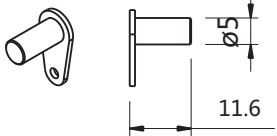
1



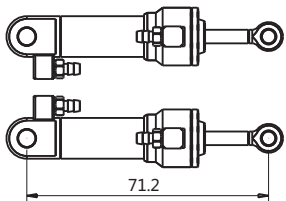
2



B1



B2  
x2



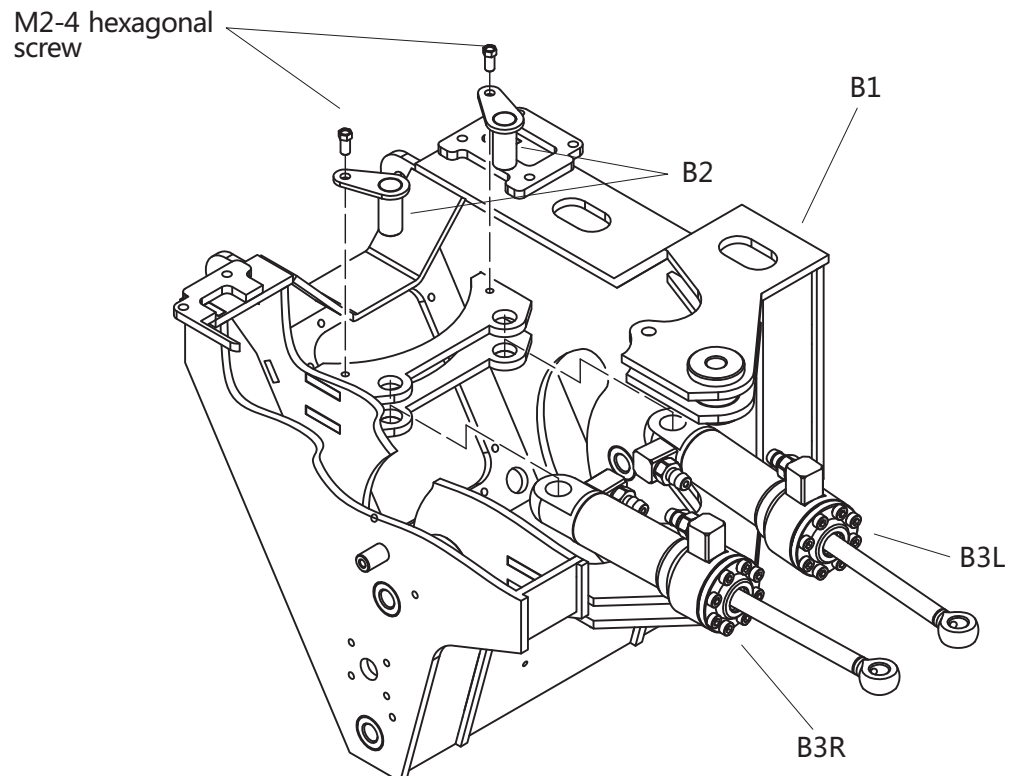
B3L

B3R



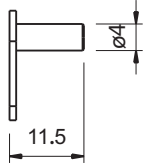
M2-4 hexagonal  
screw x2

2

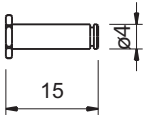




3



C1  
x2



C2  
x2



M2-4 hexagonal  
screw  
x2

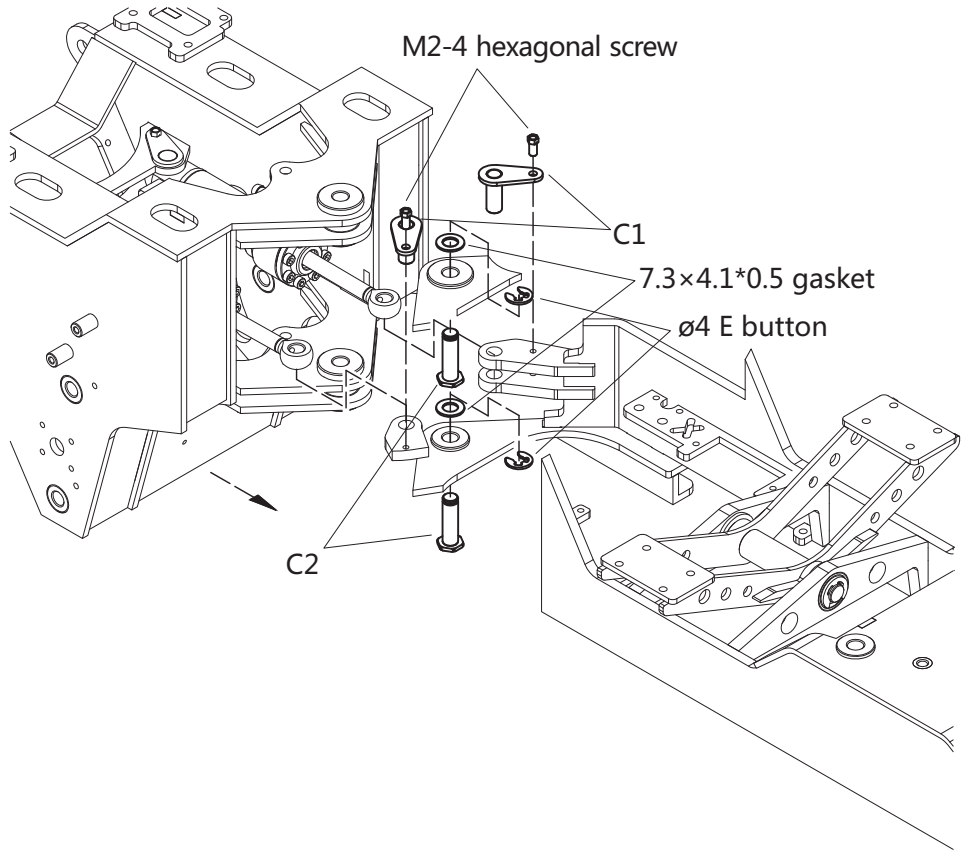


7.3x4.1\*0.5 gasket  
x2

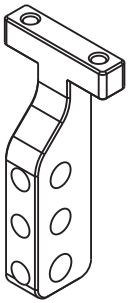


ø4 E button  
x1

3



4

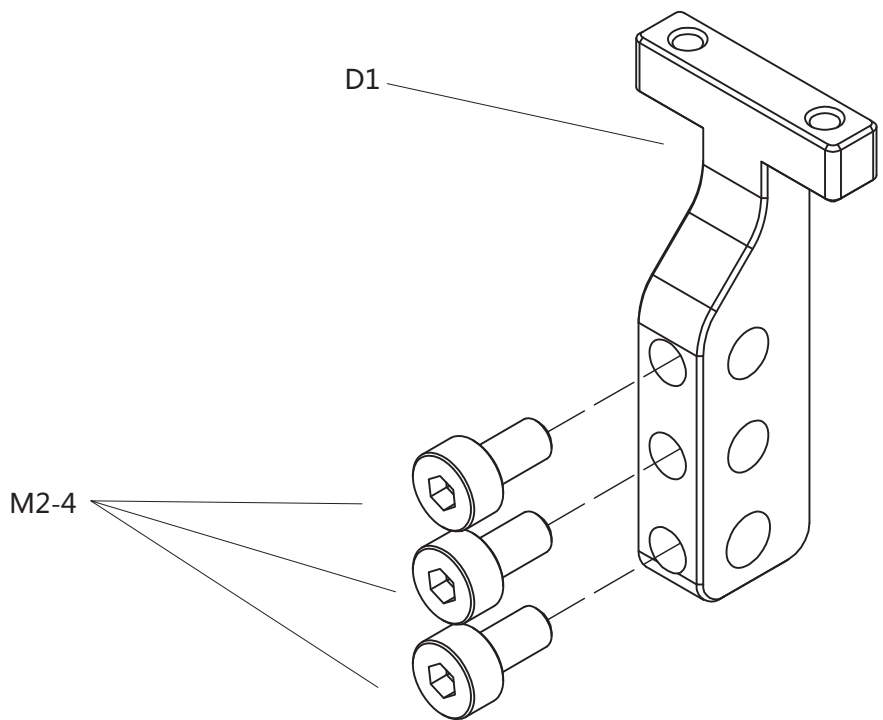


D1

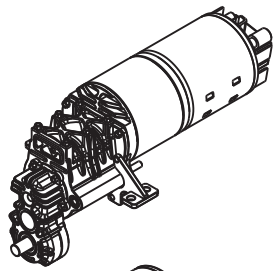


M2-4  
x3

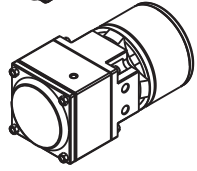
4



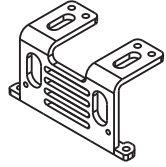
5



E1



E2



E3 x2



M2-4 hexagonal screw x4

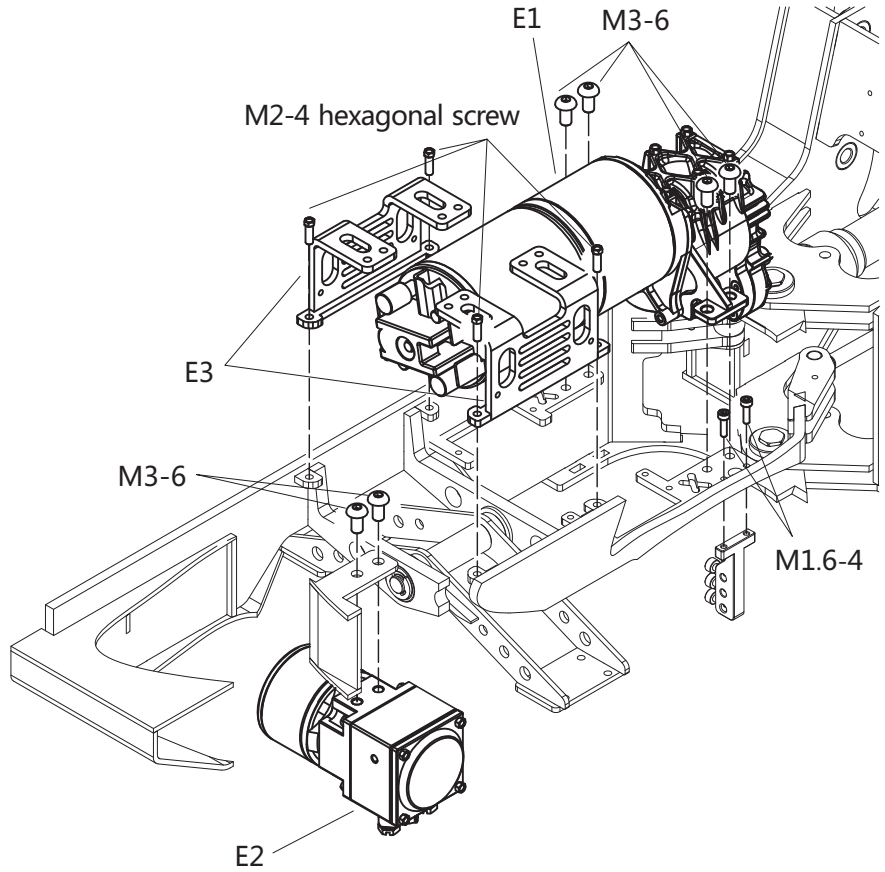


M1.6-4 x2

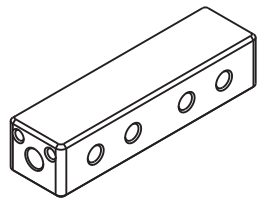


M3-6 x6

5



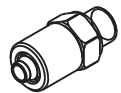
6



F1 x2

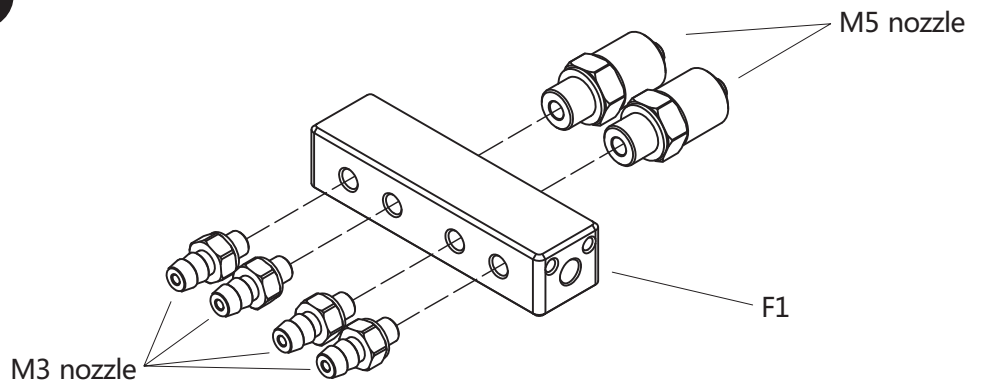


M3 nozzle x8

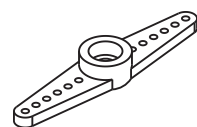


M5 nozzle x4

6

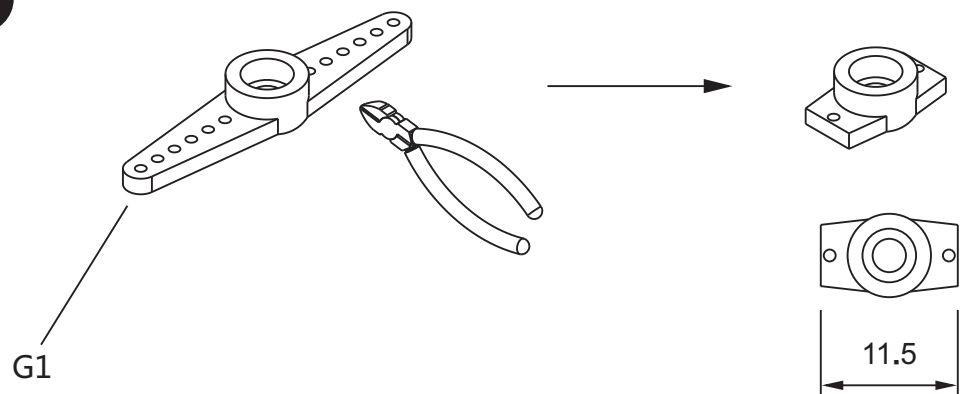


7

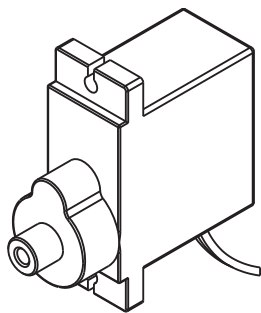


G1 x3

7

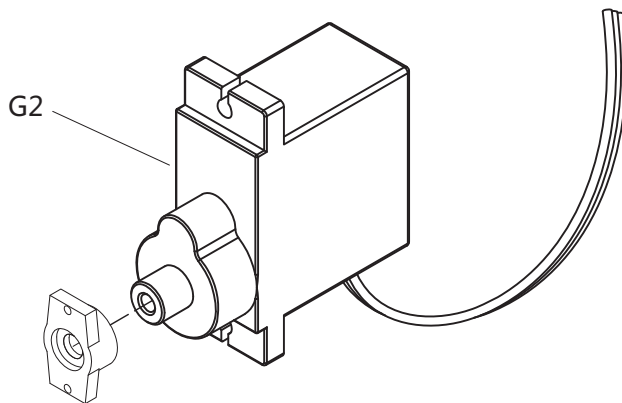


3

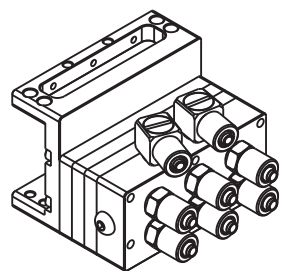


G2  
x3

3



G2



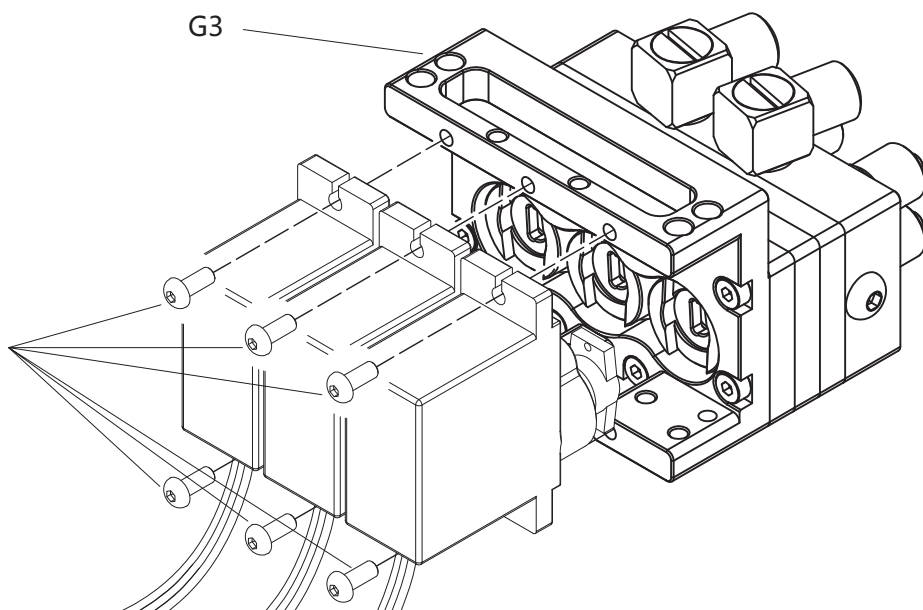
G3



M2-5

x6

M2-5



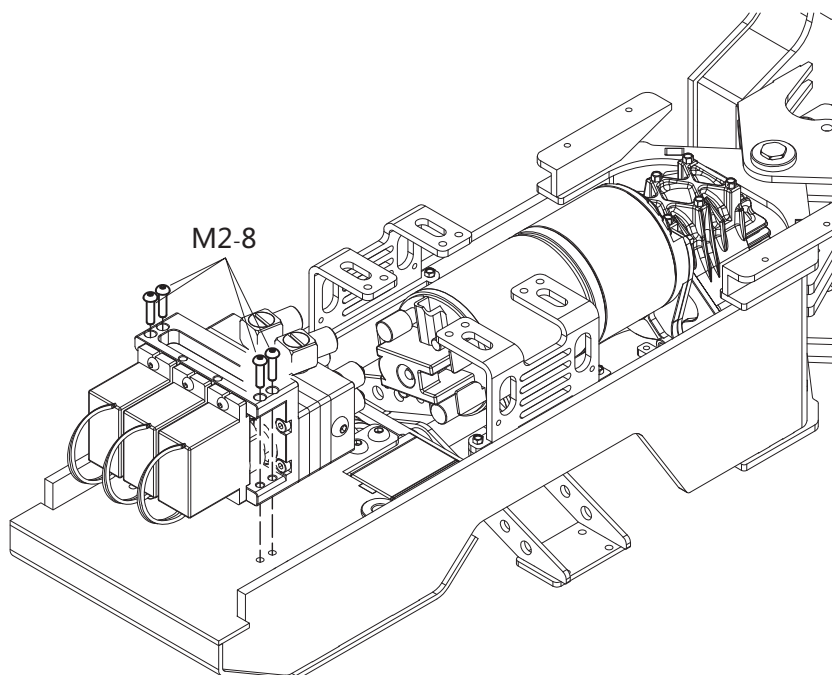
G3



M2-8

x4

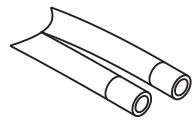
M2-8



8



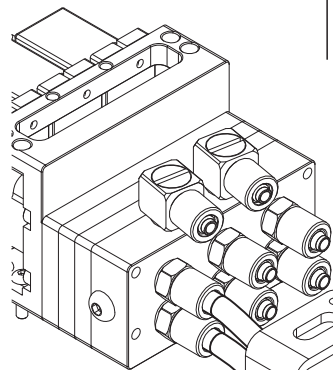
H1 Bourdon tube ø5



H2 oil pipe



H3 x8

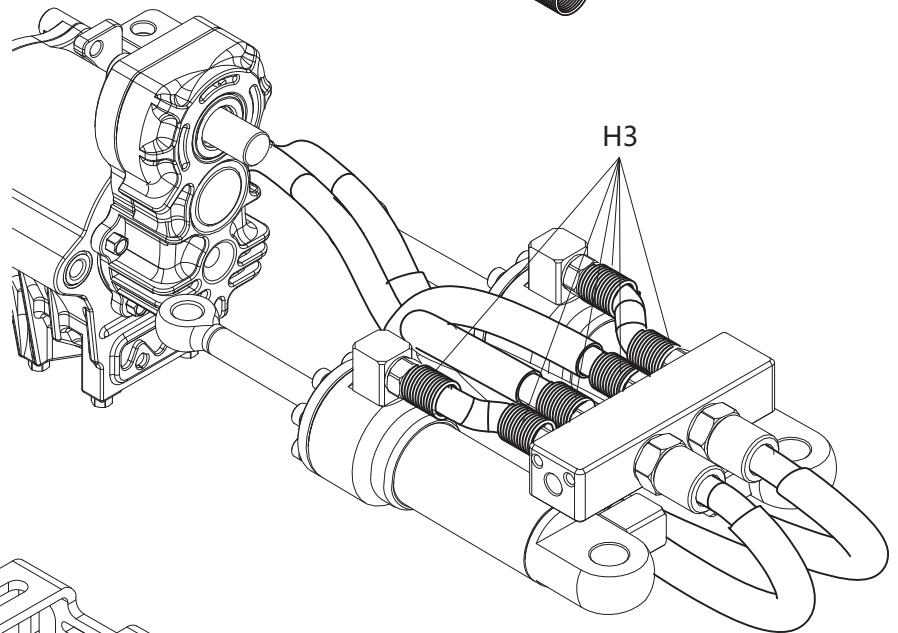


8

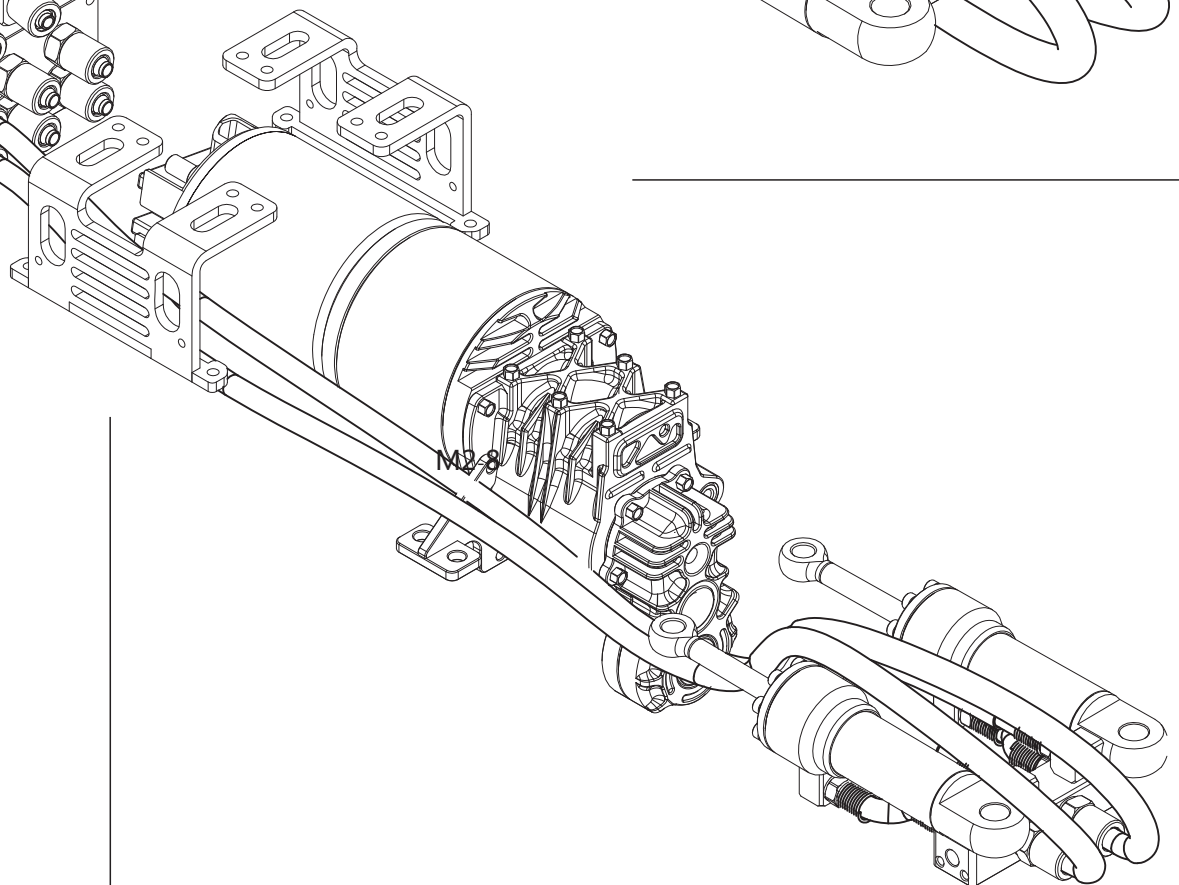
H2 oil pipe

H4

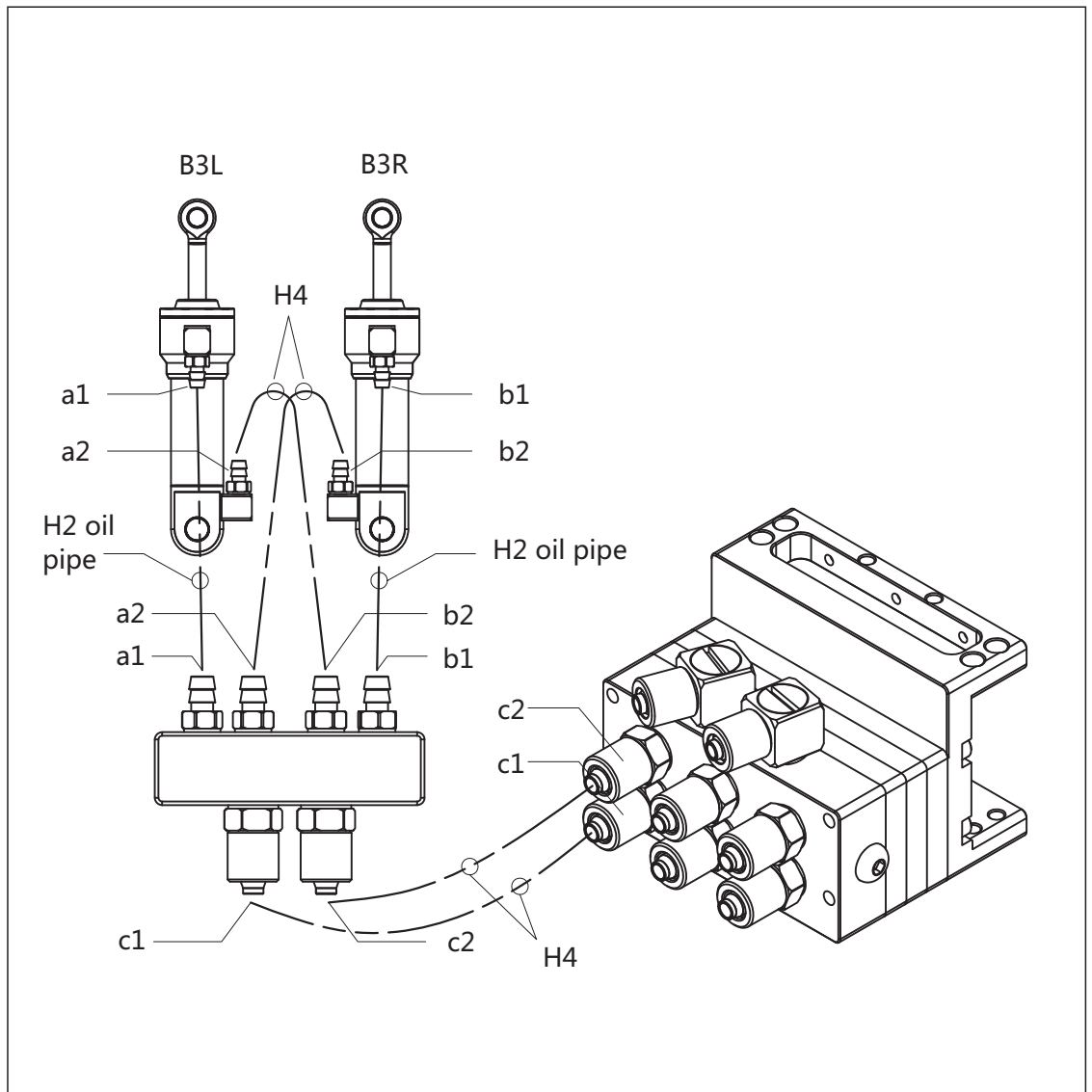
H1 Bourdon tube



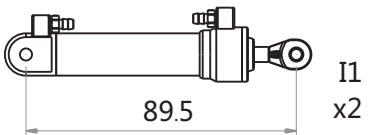
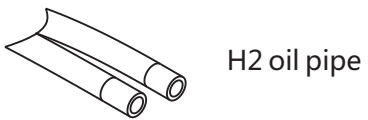
H3



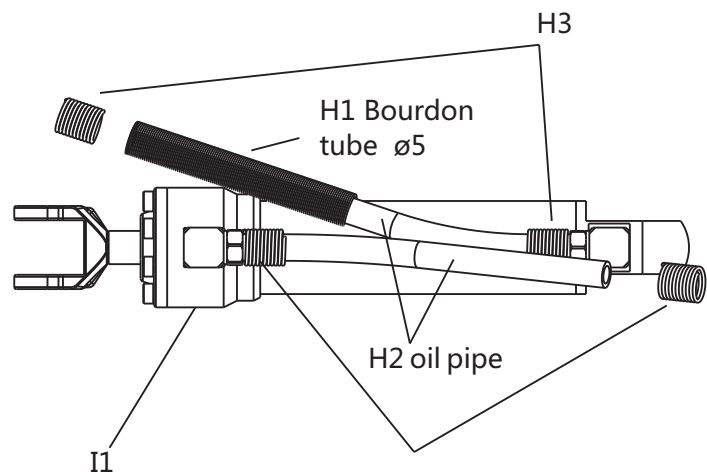
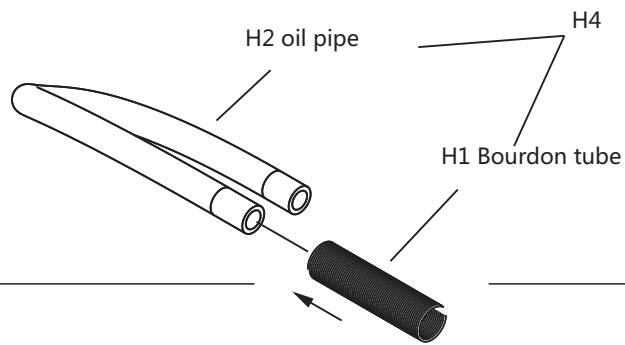
M28

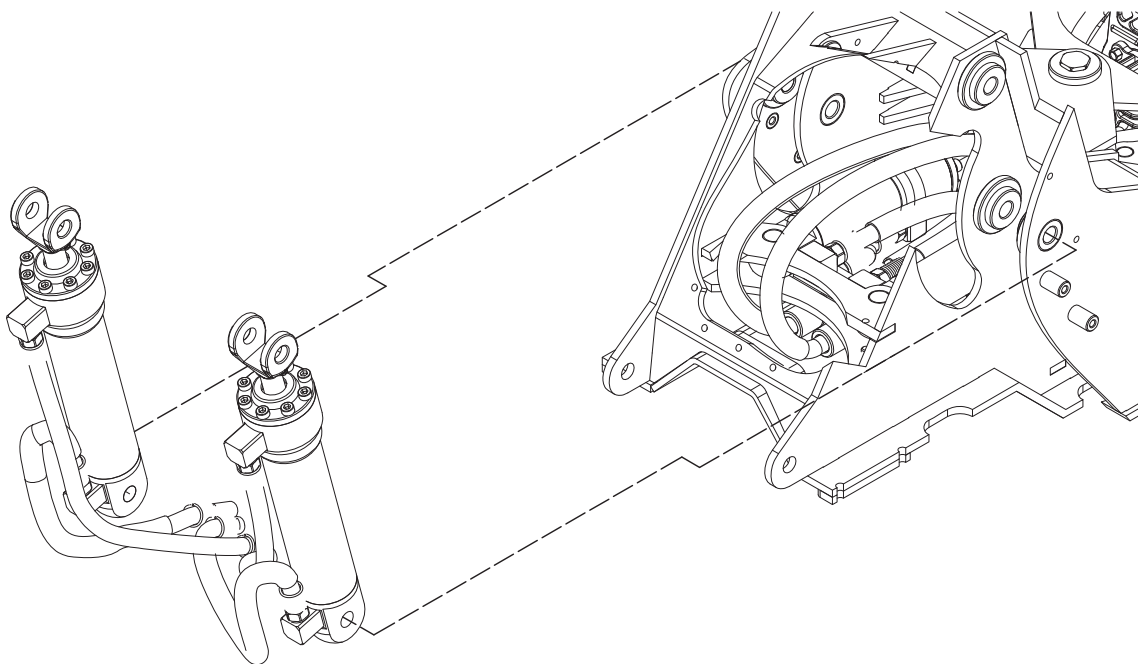
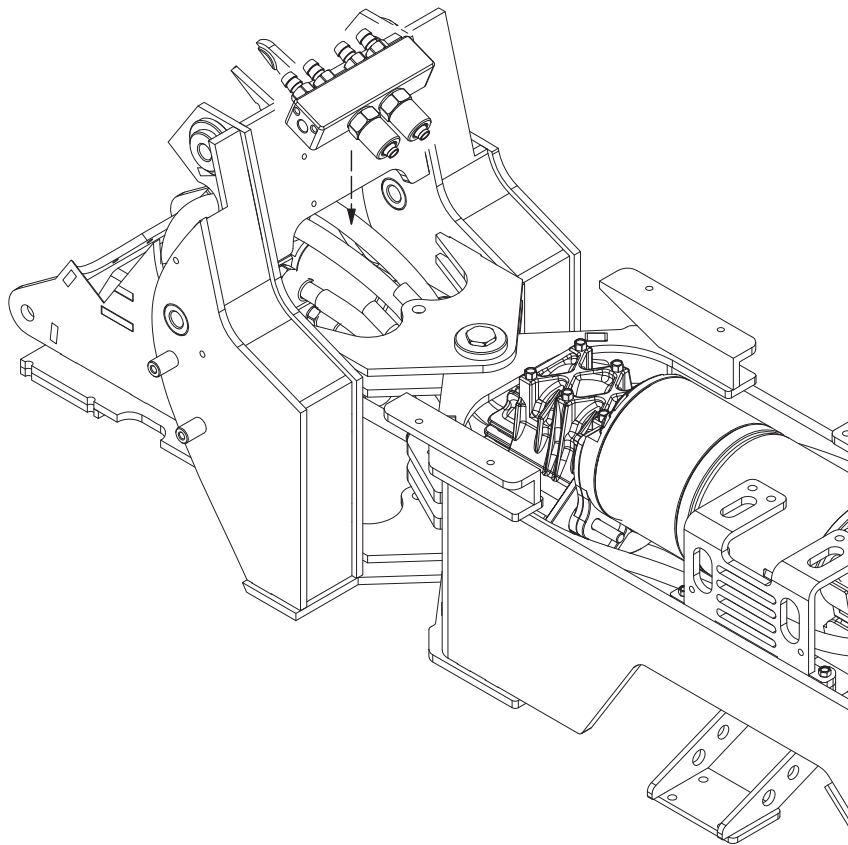


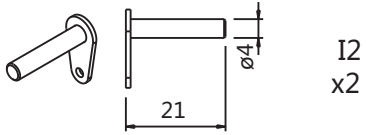
**9**



**9**



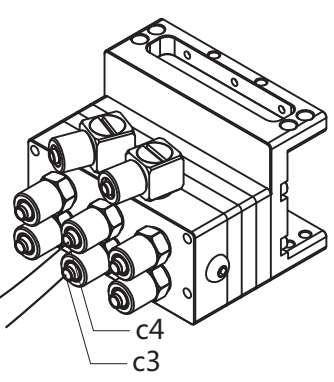
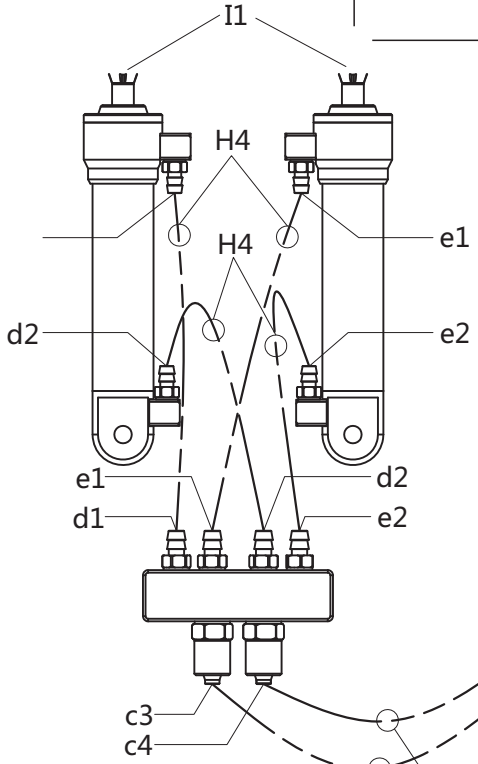
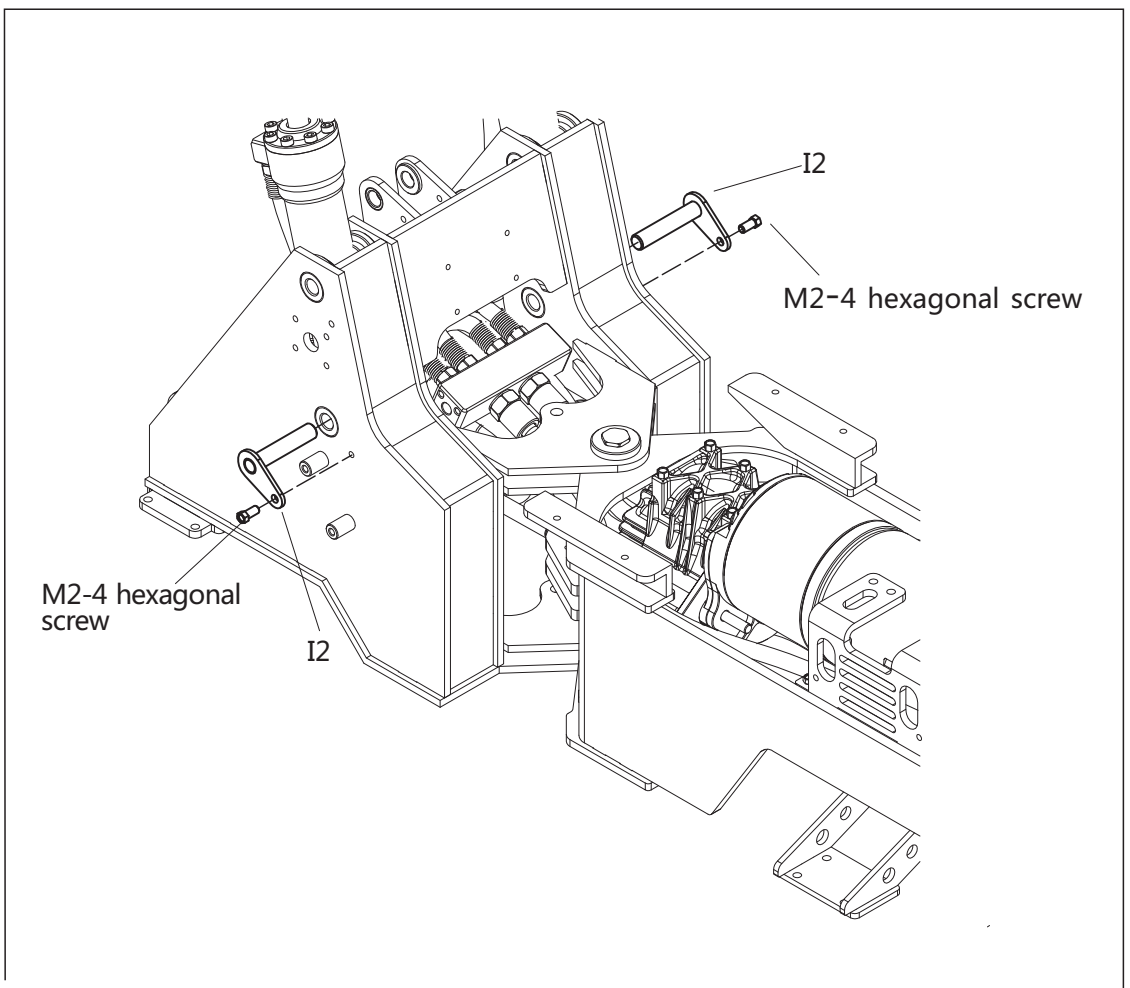




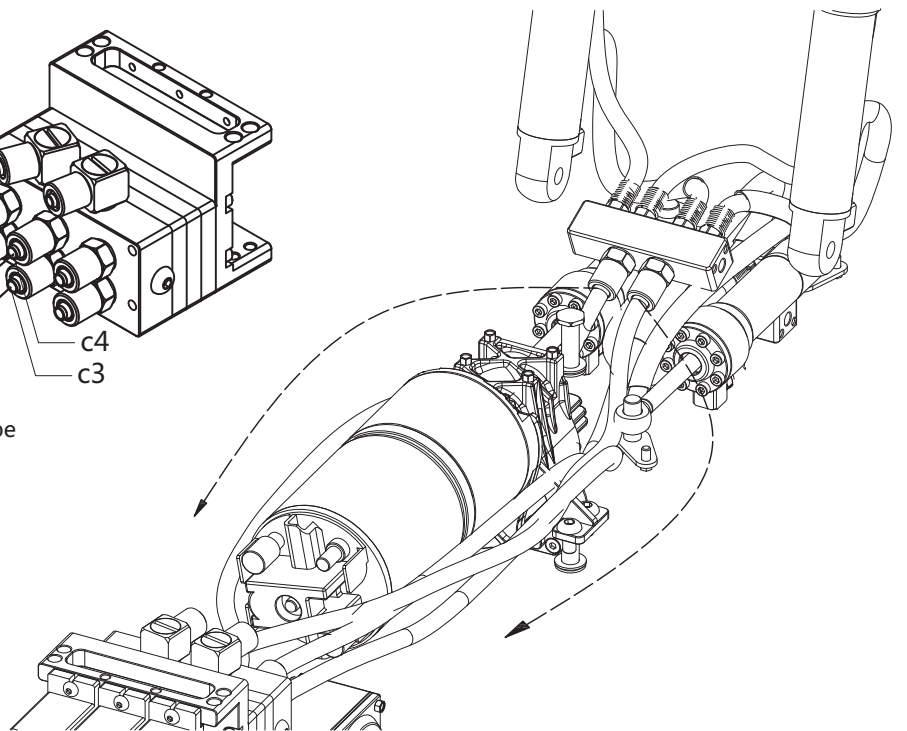
I2  
x2



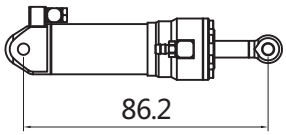
M2-4 hexagonal  
screw  
x2



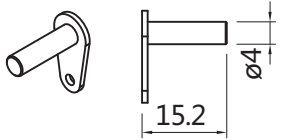
H2 oil pipe



10



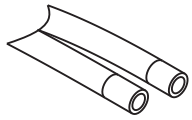
J1



J2



H1 Bourdon tube ø5



H2 oil pipe

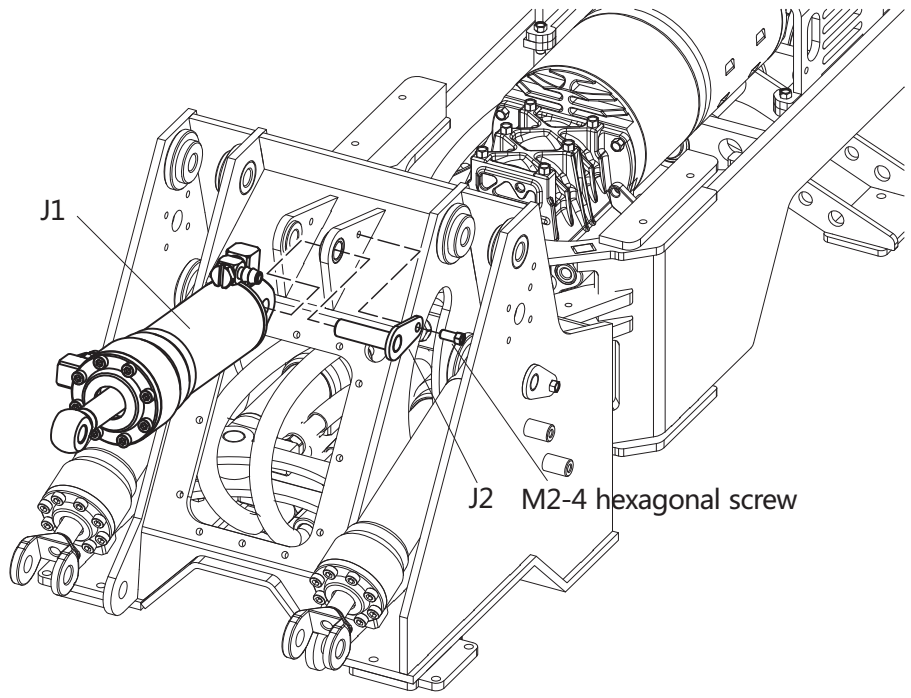


H3 x2



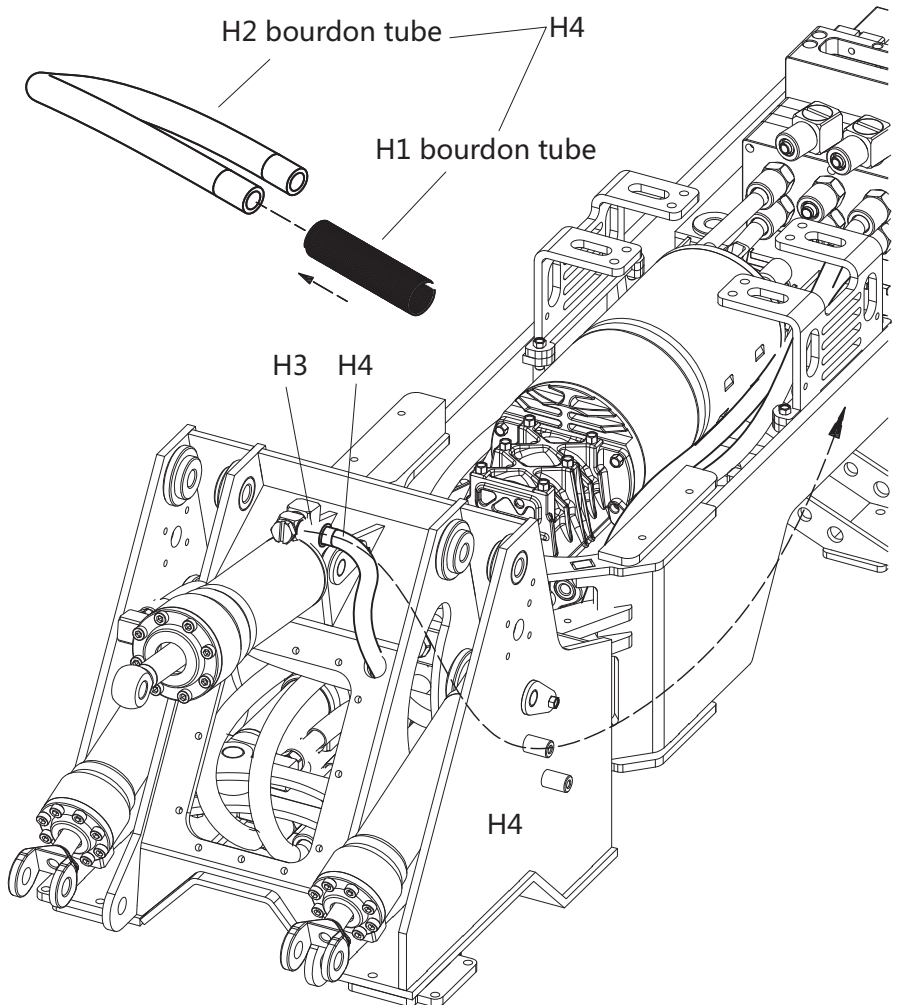
M2-4 hexagonal screw

10



J1

J2 M2-4 hexagonal screw



H2 bourdon tube

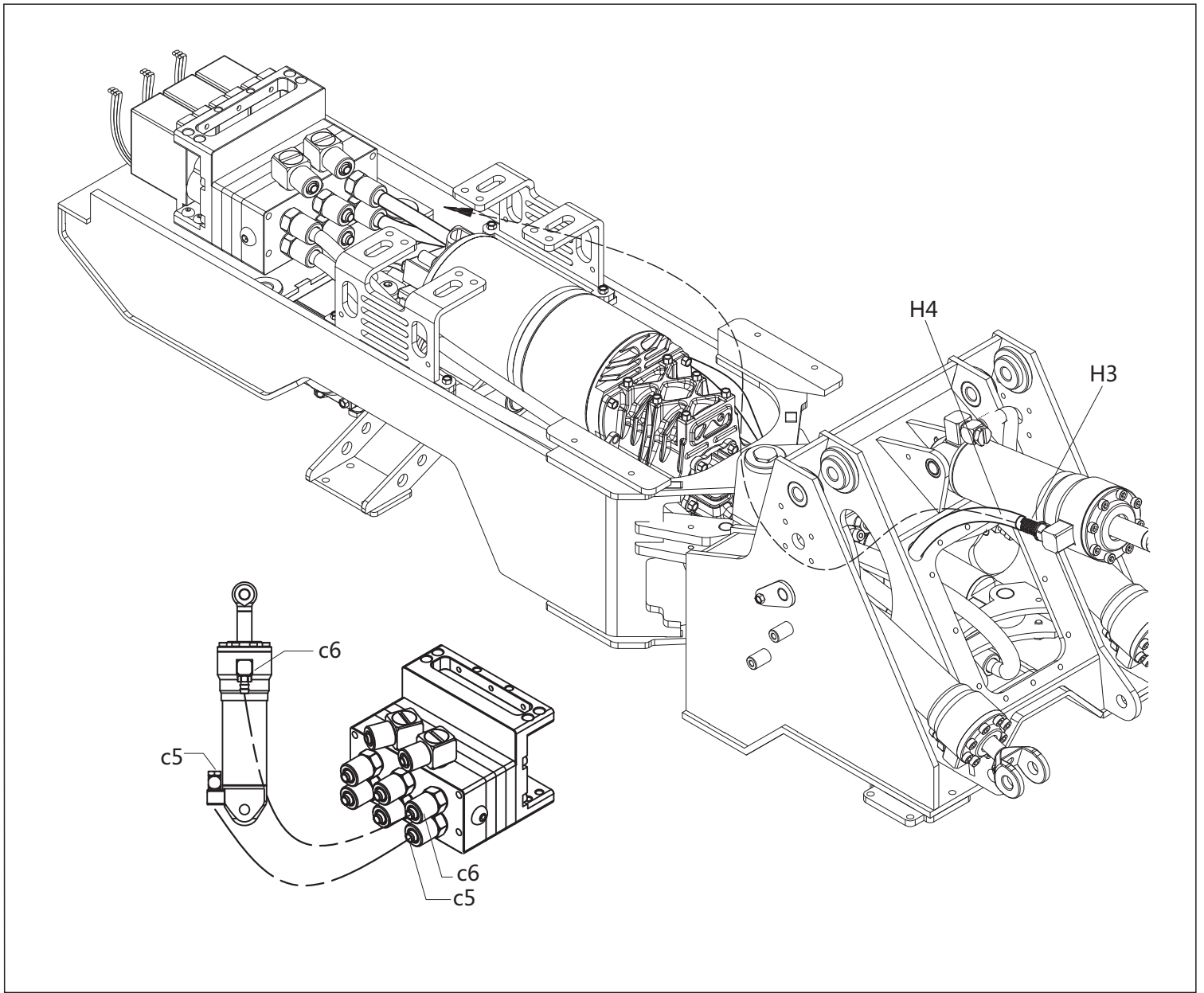
H4

H1 bourdon tube

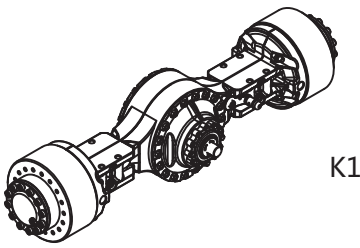
H3 H4

H4





11

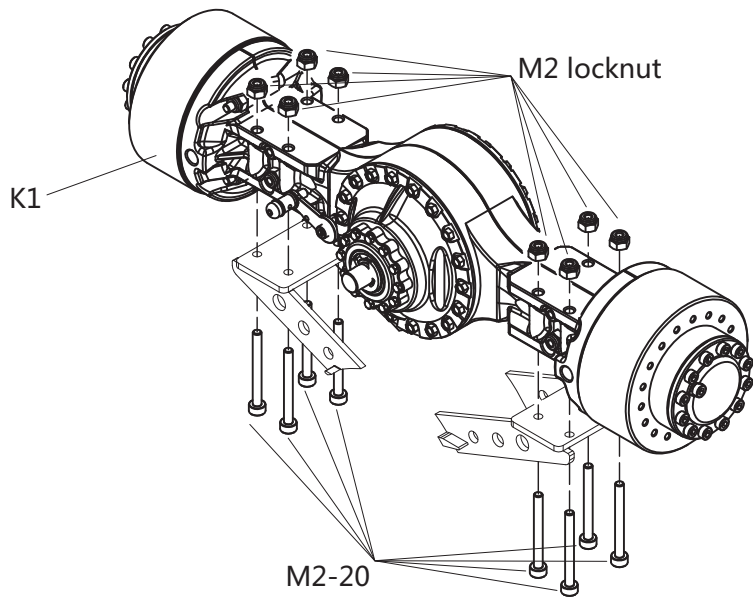


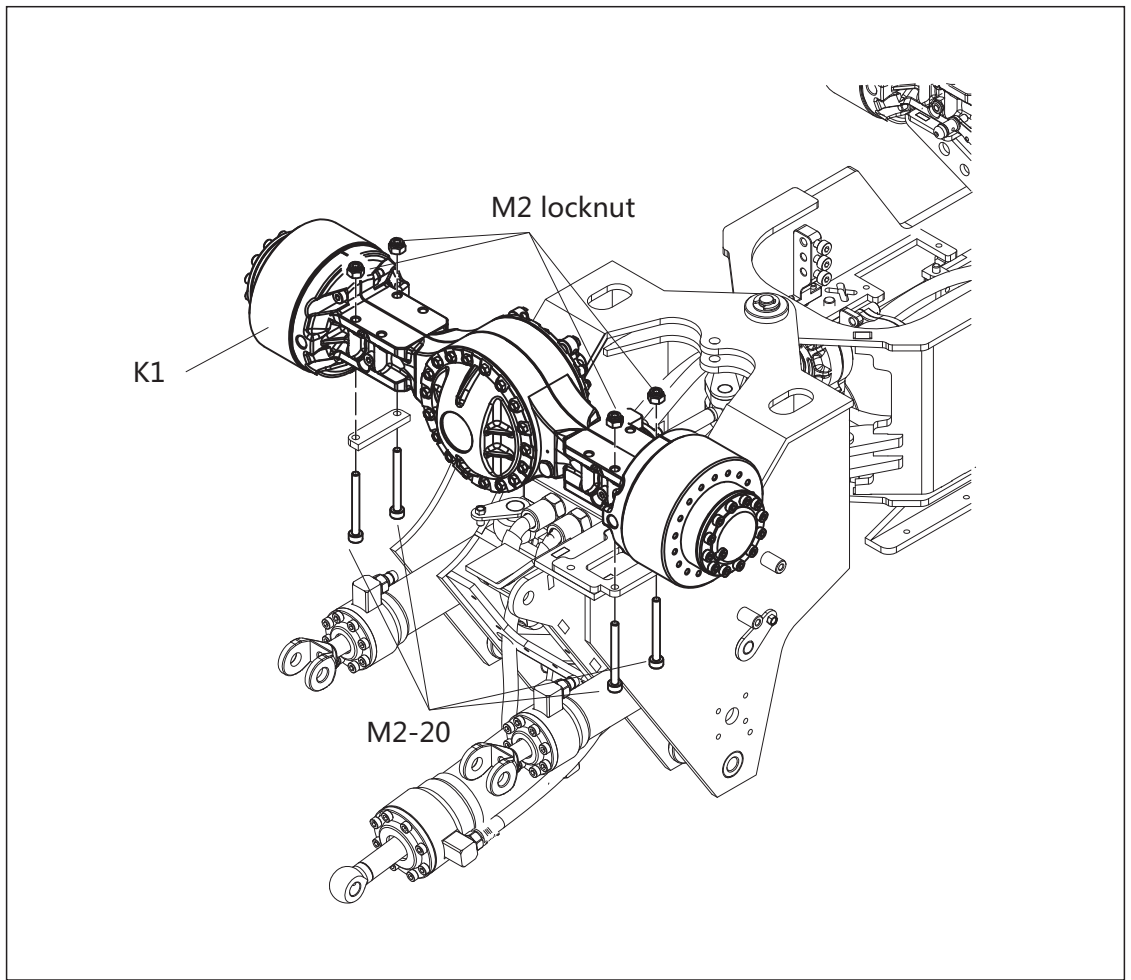
K1

M2-20 x12

M2 locknut x12

11

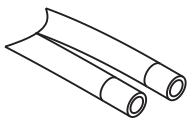




12



H1 Bourdon tube  $\varnothing 5$



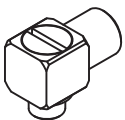
H2 oil pipe



H3 x3

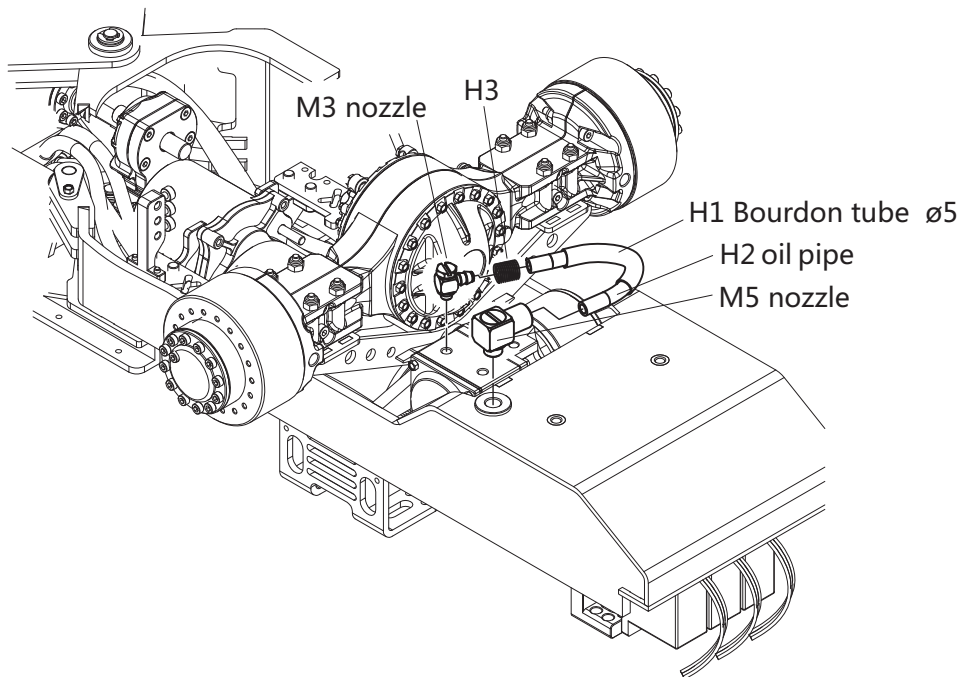


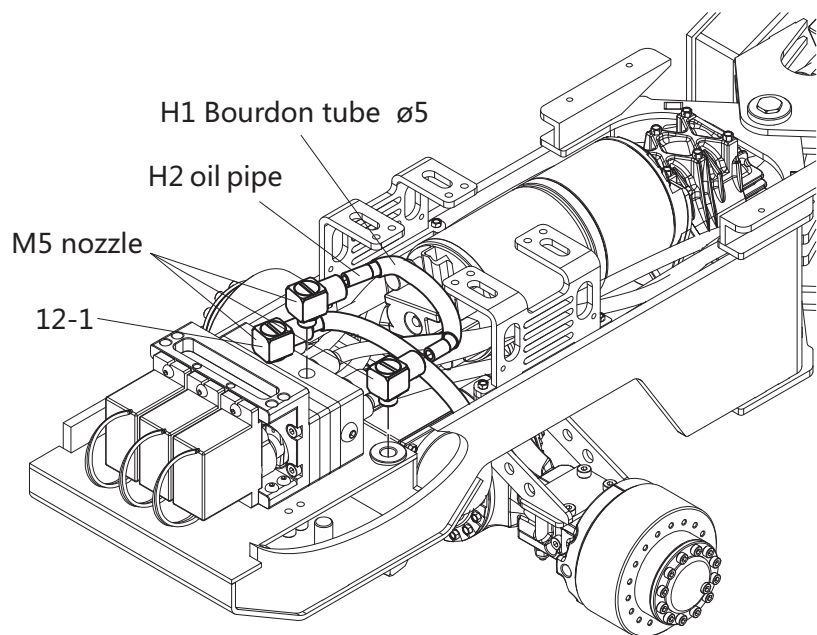
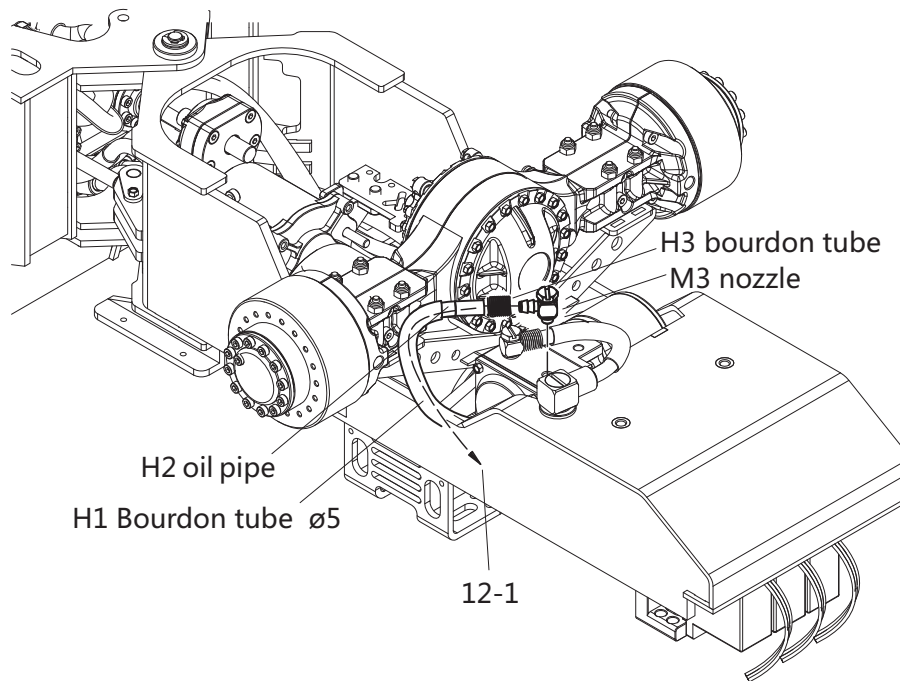
M3 nozzle x2



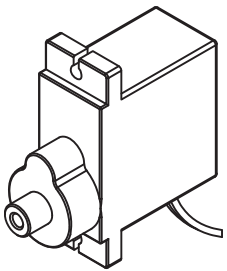
M5 nozzle x4

12

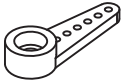




13



G2



L1



L2



M2-3

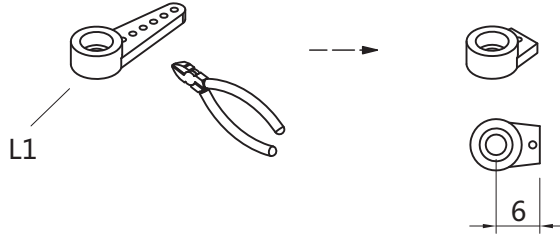


M2-5 x2



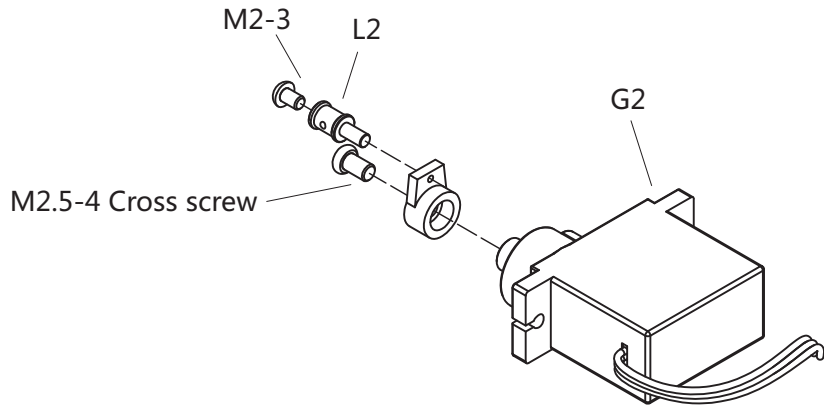
M2.5-4 Cross screw

13



L1

6

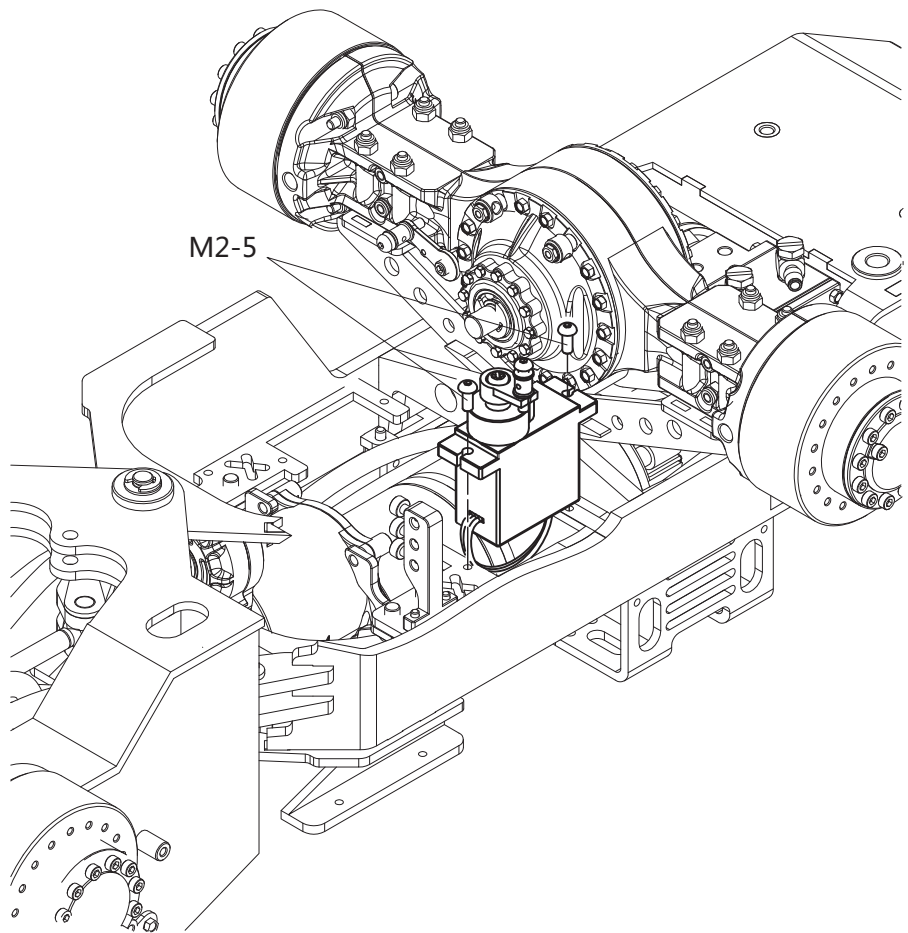


M2-3

L2

G2

M2.5-4 Cross screw



M2-5

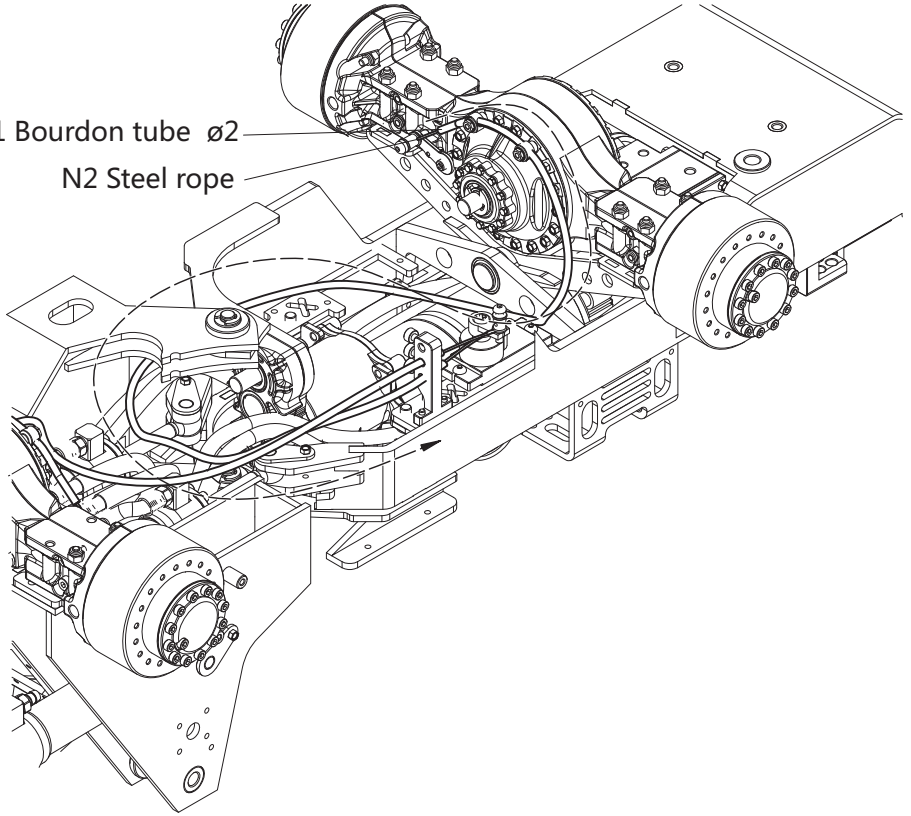
14

N1 Bourdon tube ø2

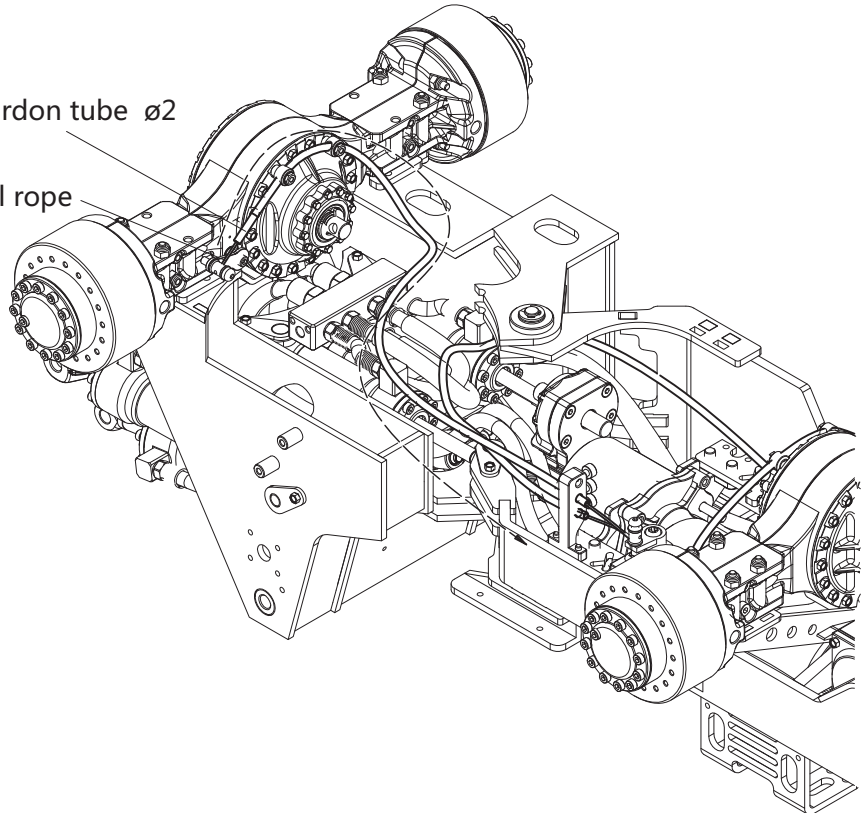
N2 Steel rope

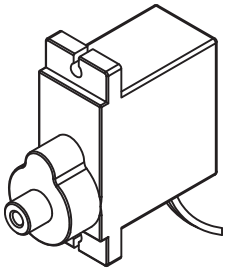
14

N1 Bourdon tube ø2  
N2 Steel rope

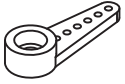


N1 Bourdon tube ø2  
N2 Steel rope

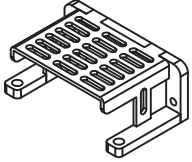




G2



L1



P1



P2



M2 Joint bearing  
x2



M2-5 x4



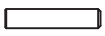
M2-6



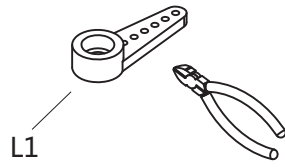
M2-8



M2.5-4 Cross screw



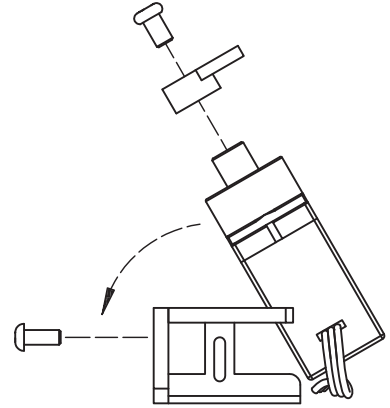
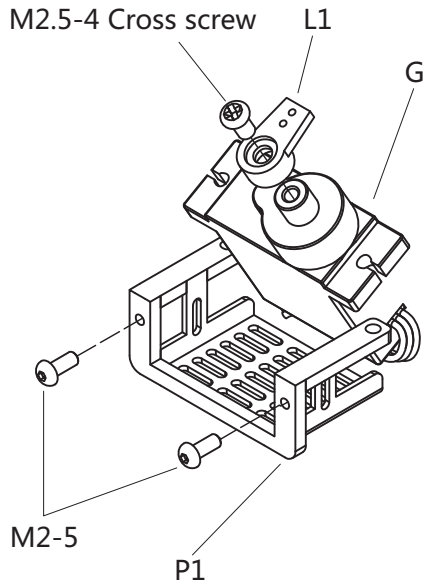
M2.5-10 set screw



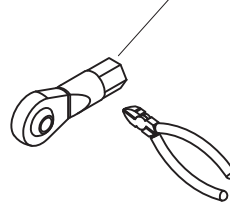
L1



8.5

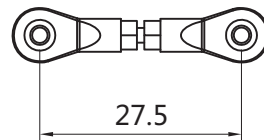
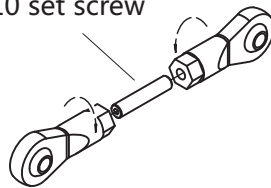


M2 Joint bearing

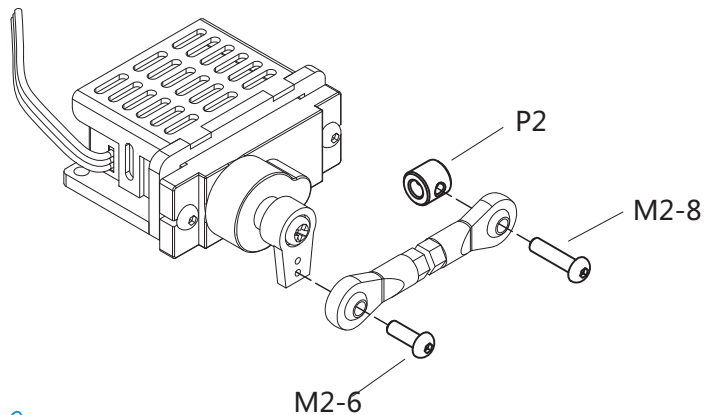


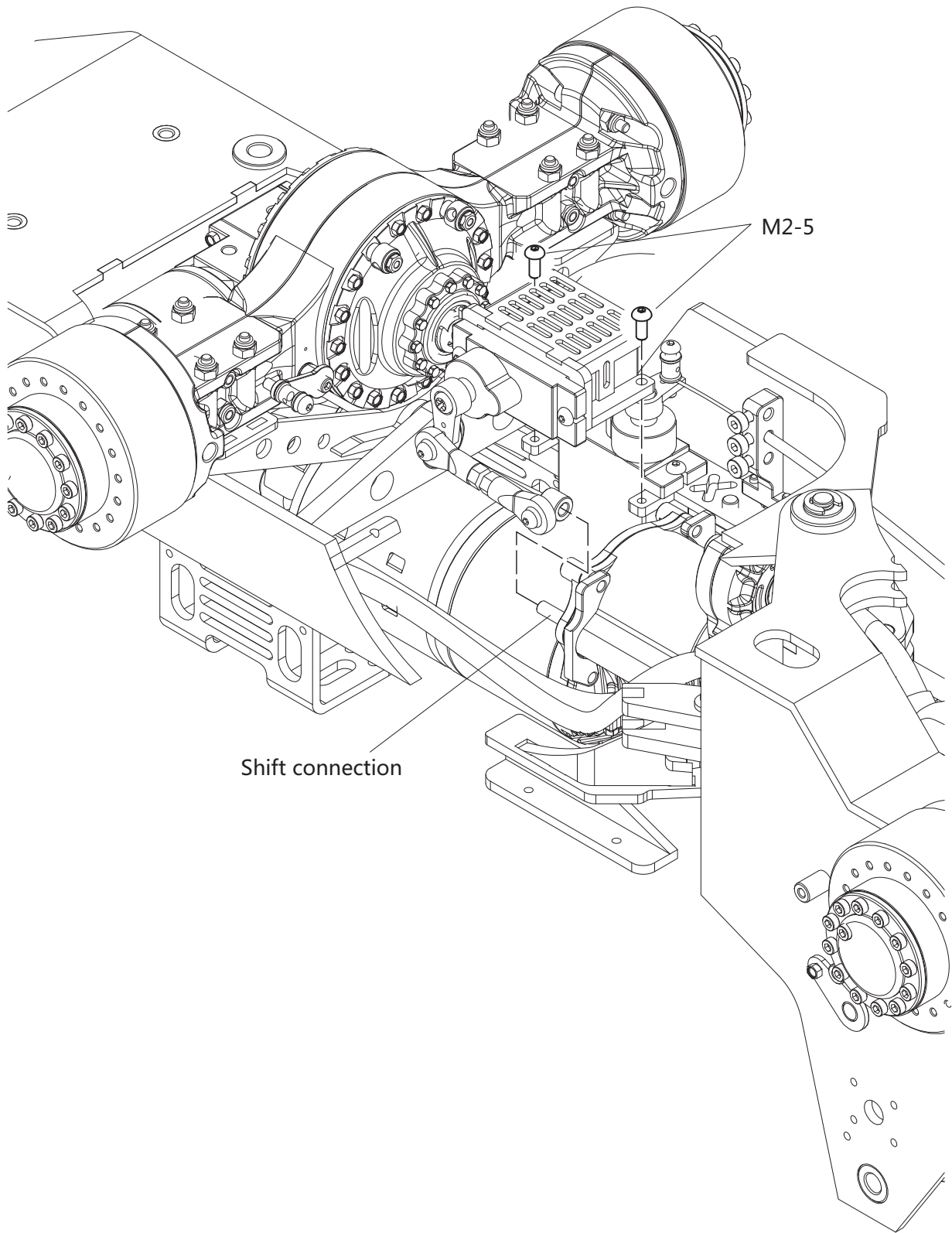
13.25

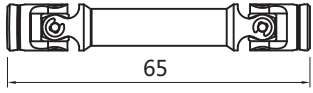
M2.5-10 set screw



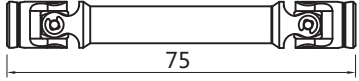
27.5






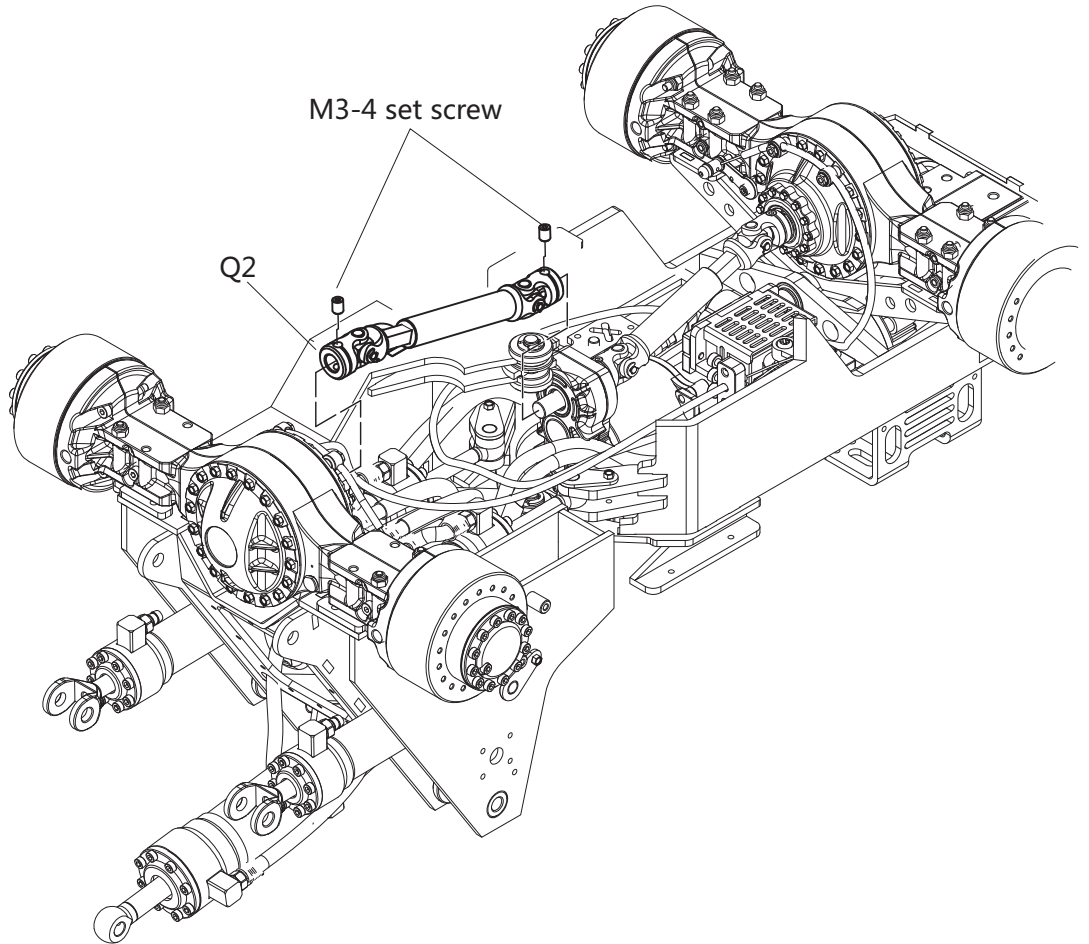
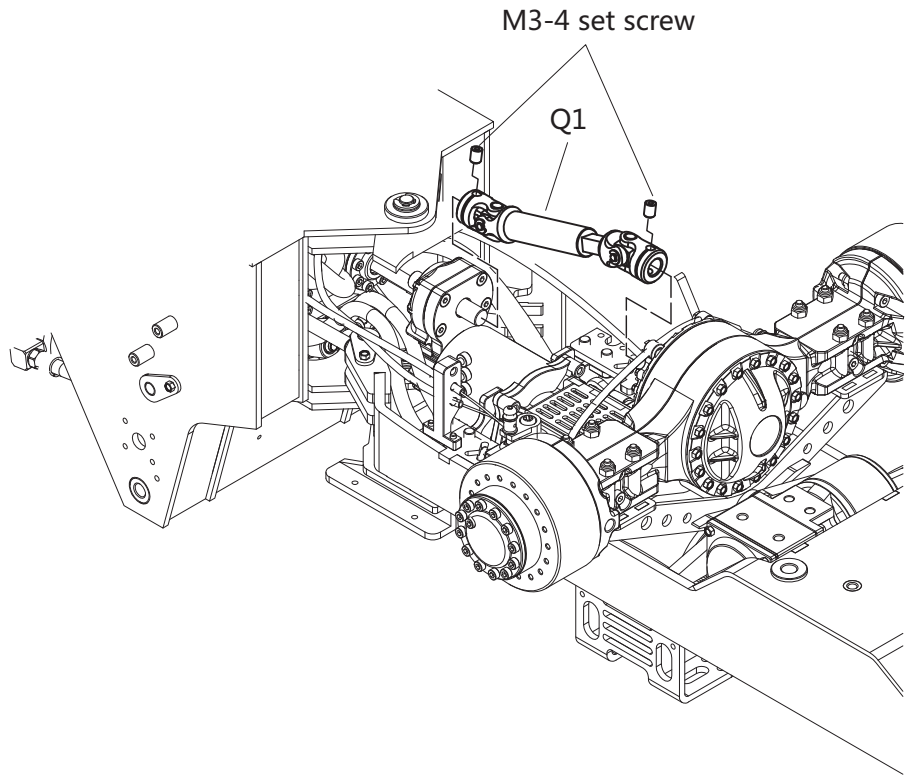


Q1 65-80



Q2 75-105

 M3-4 set screw x4









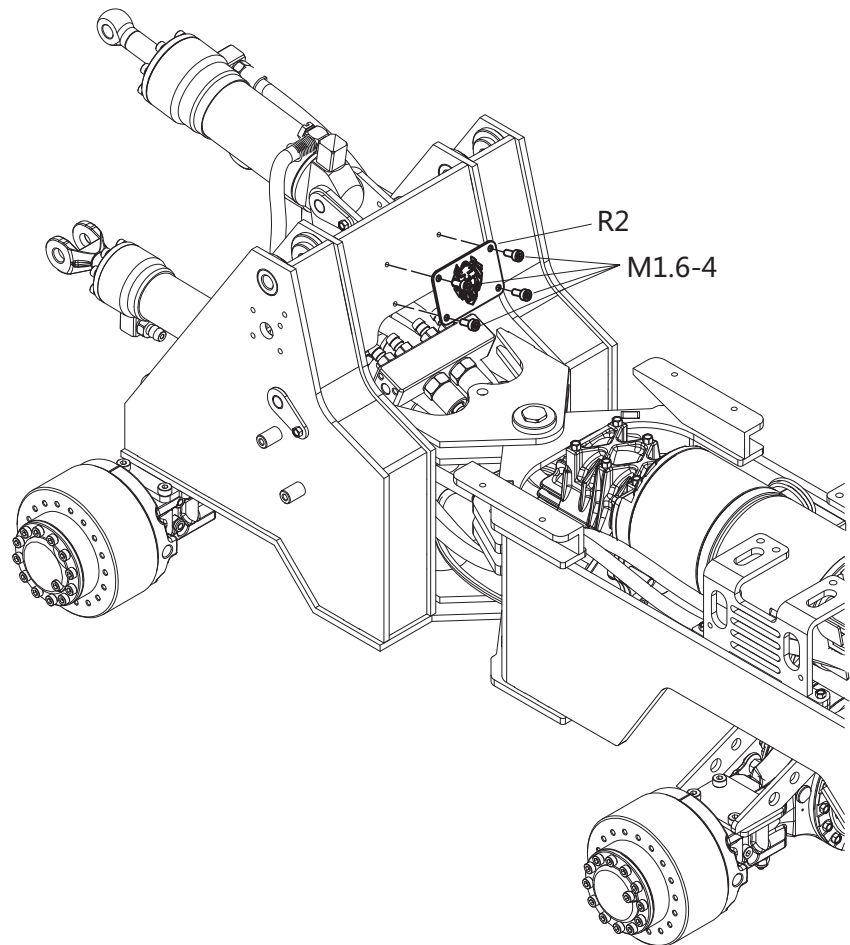
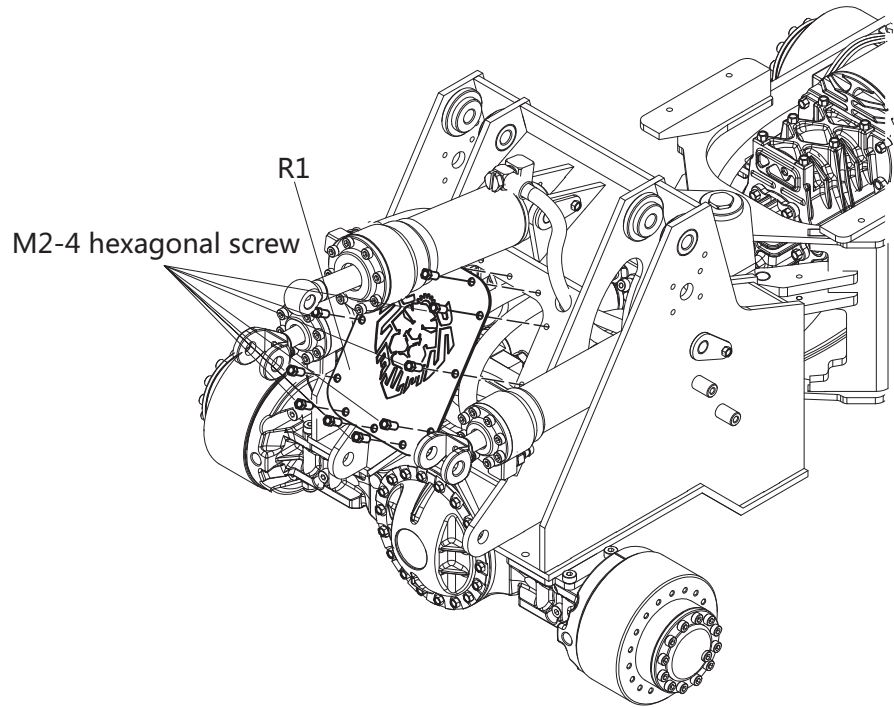
R1

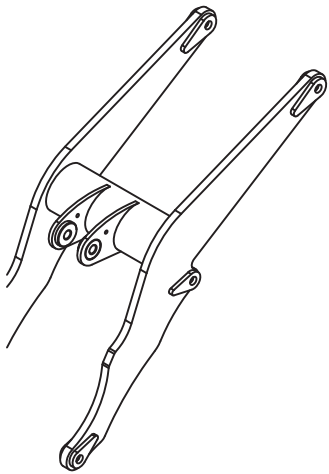


R2

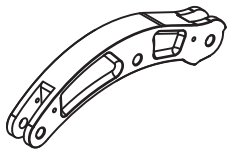
 M2-4 hexagonal screw  
x12

 M1.6-4 x4

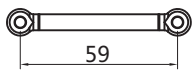




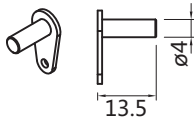
S1



S2

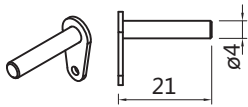


S3



S4

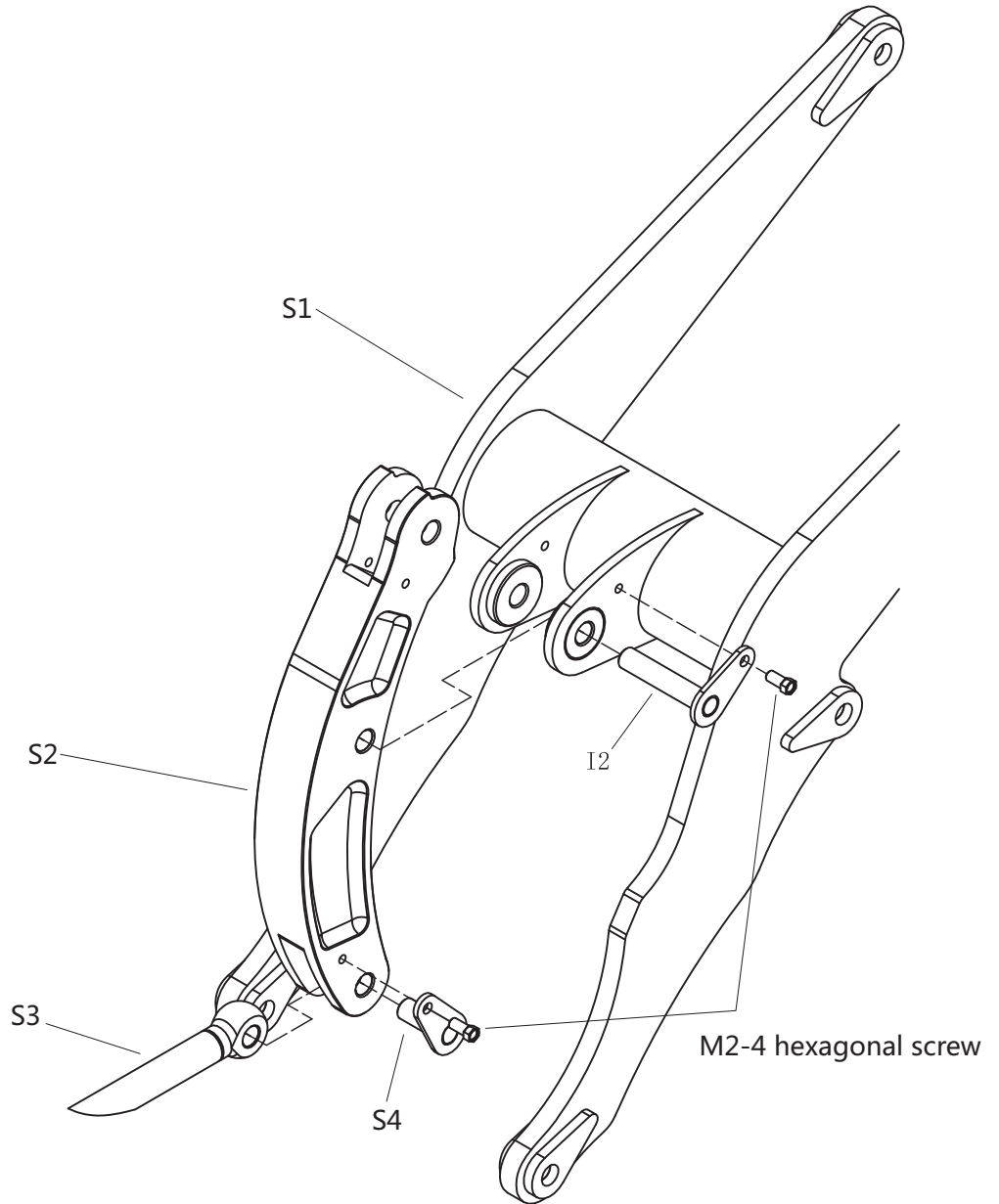
x2

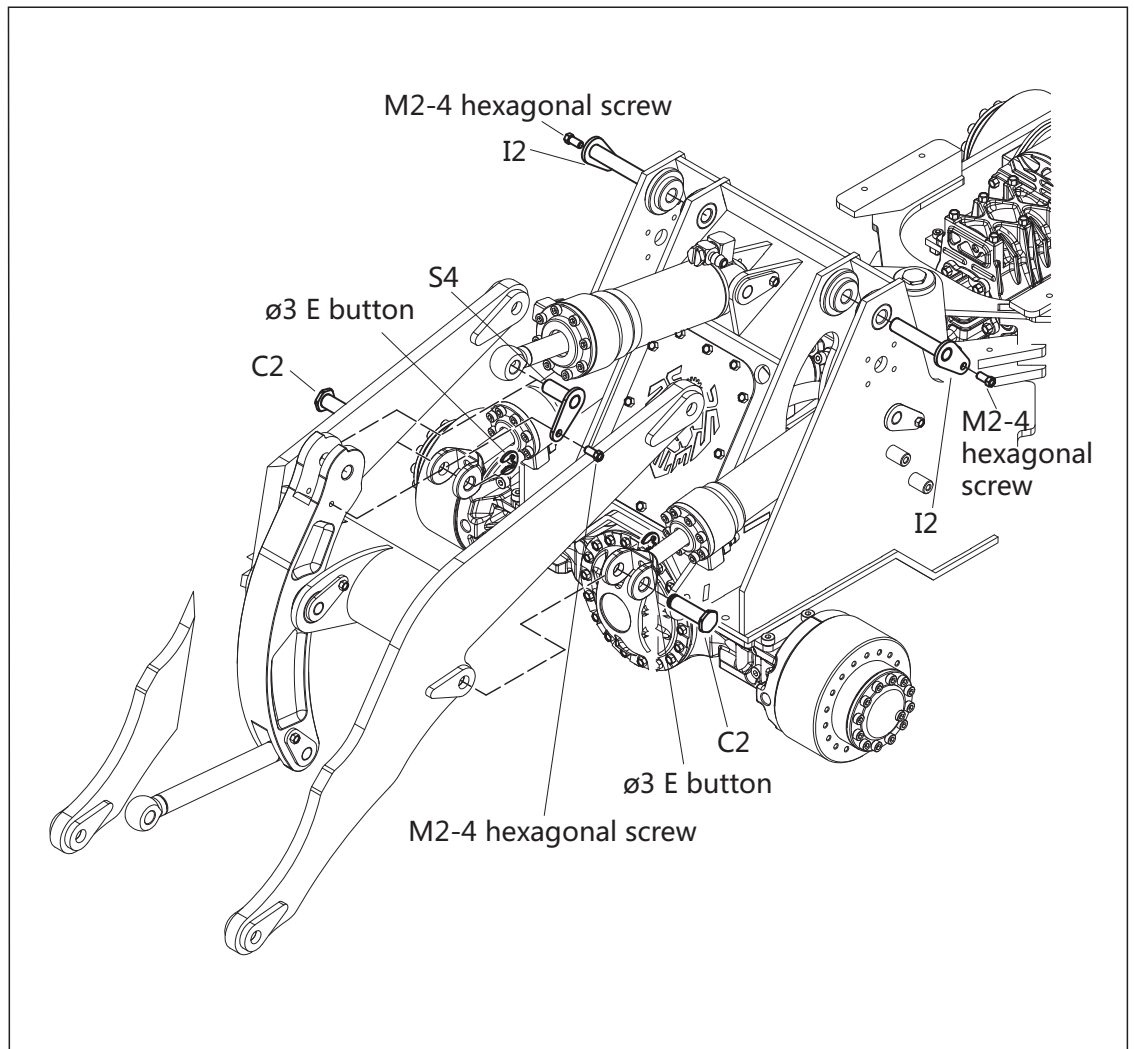
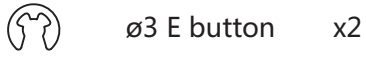
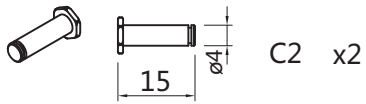


I2

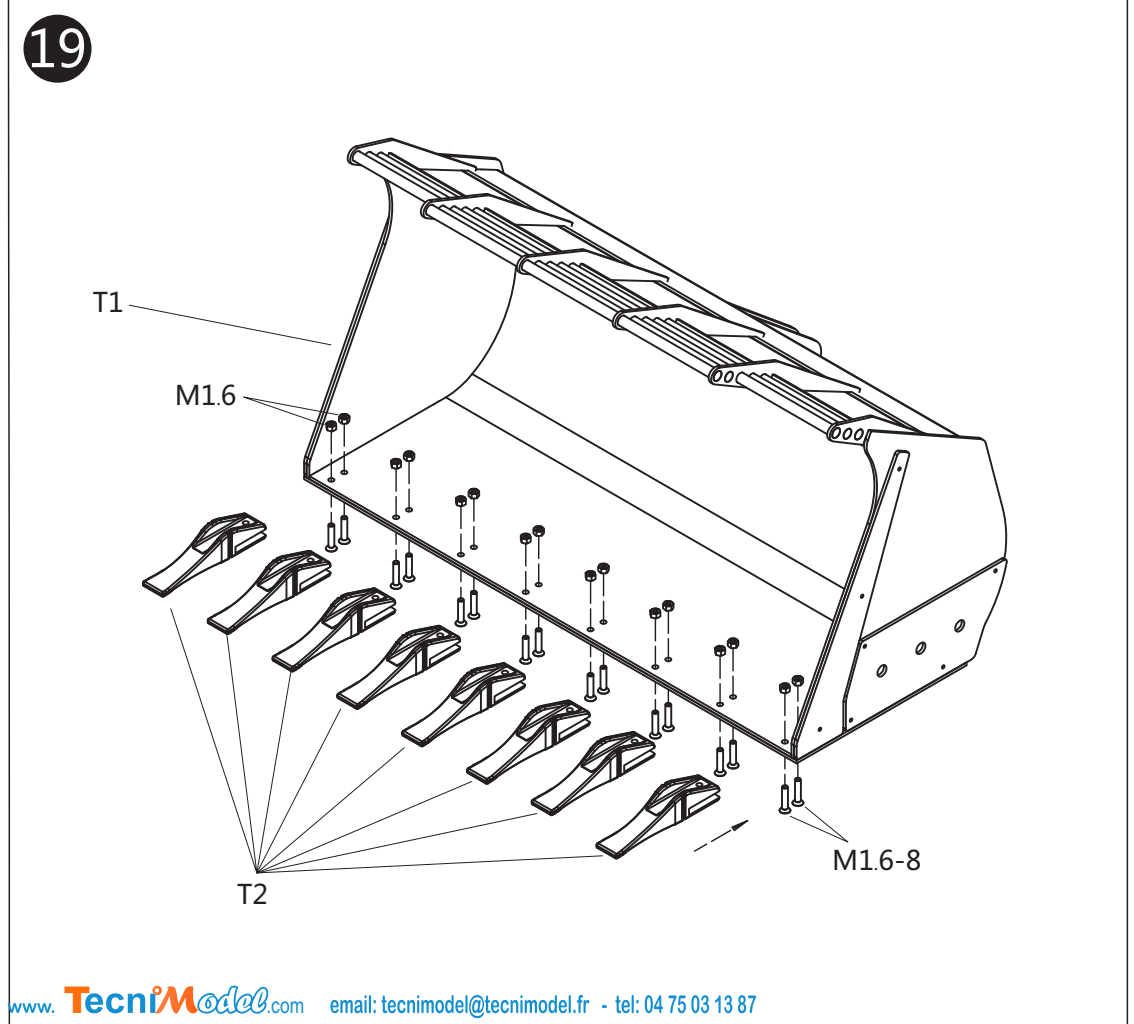
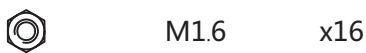
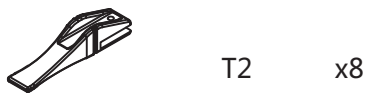
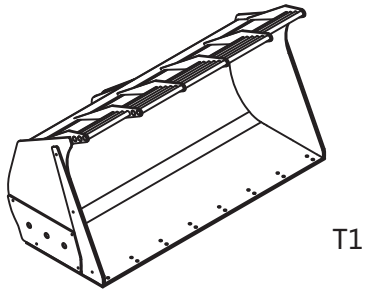
x3

M2-4 hexagonal screw  
x5

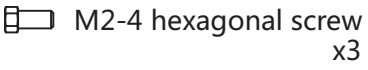
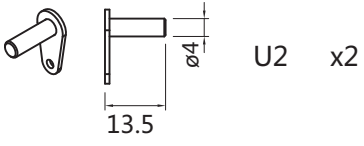
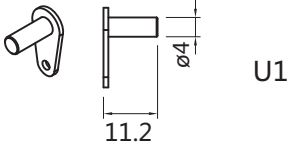




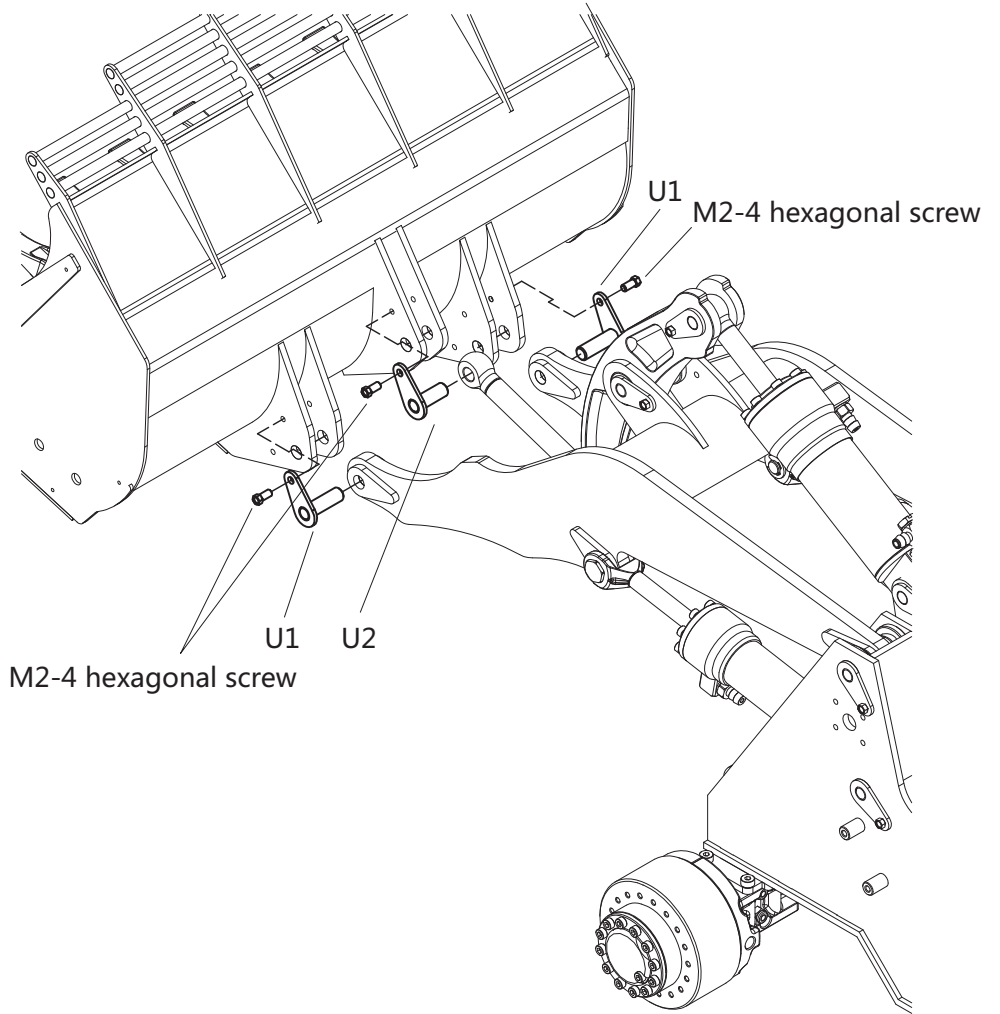
19



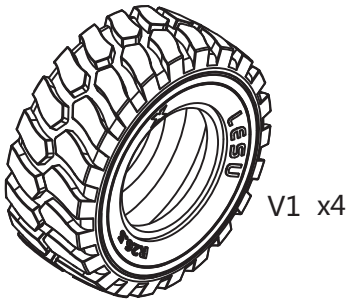
20



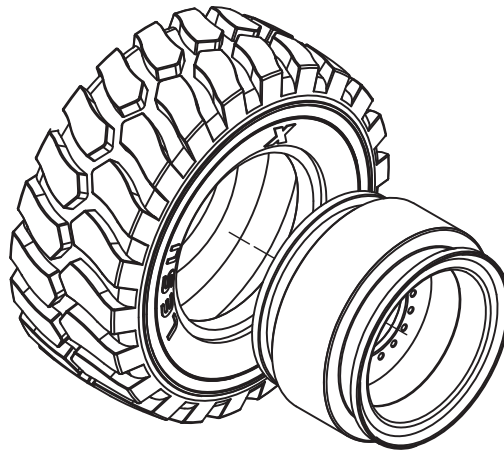
20



21

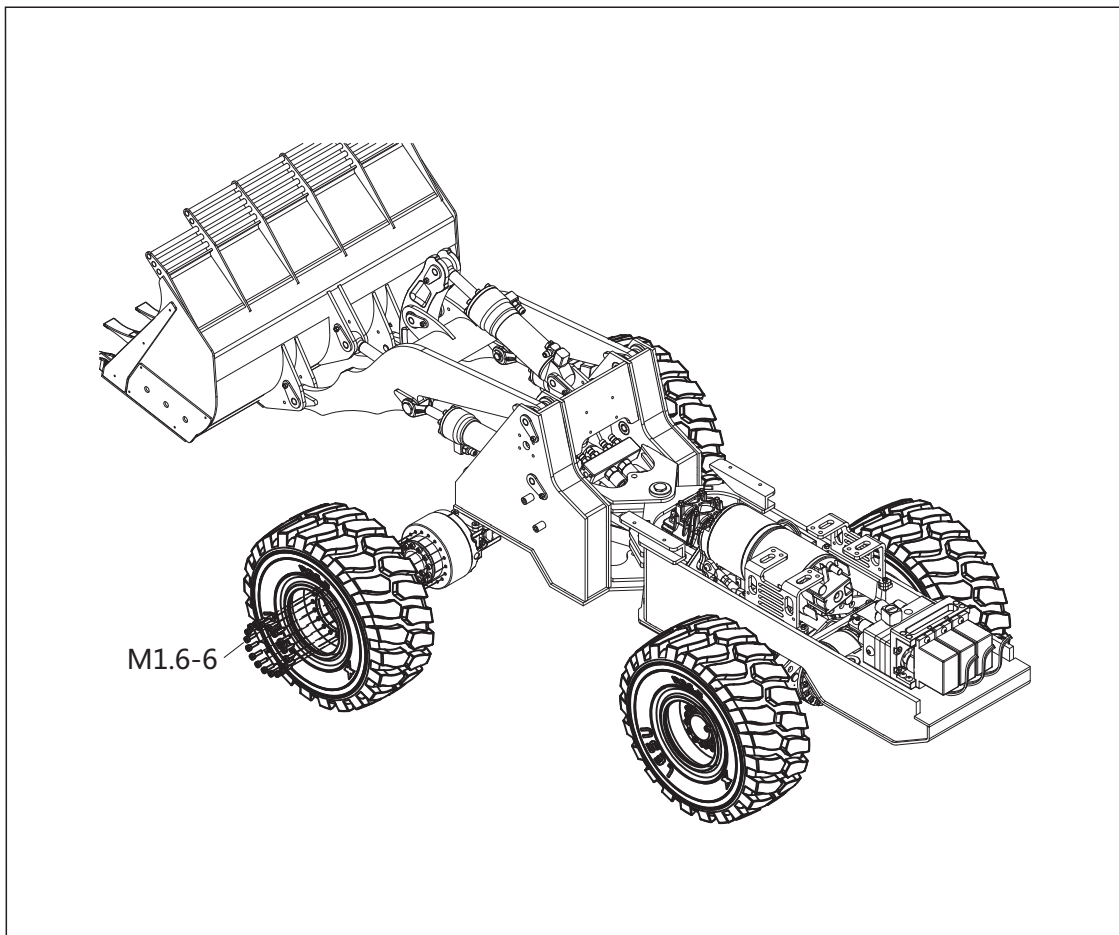


21

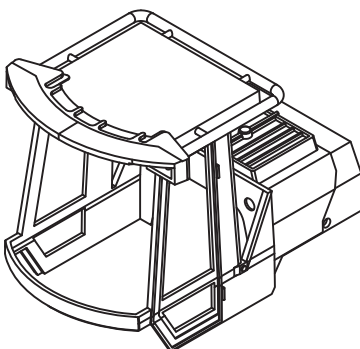
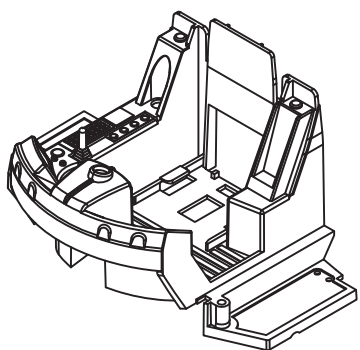




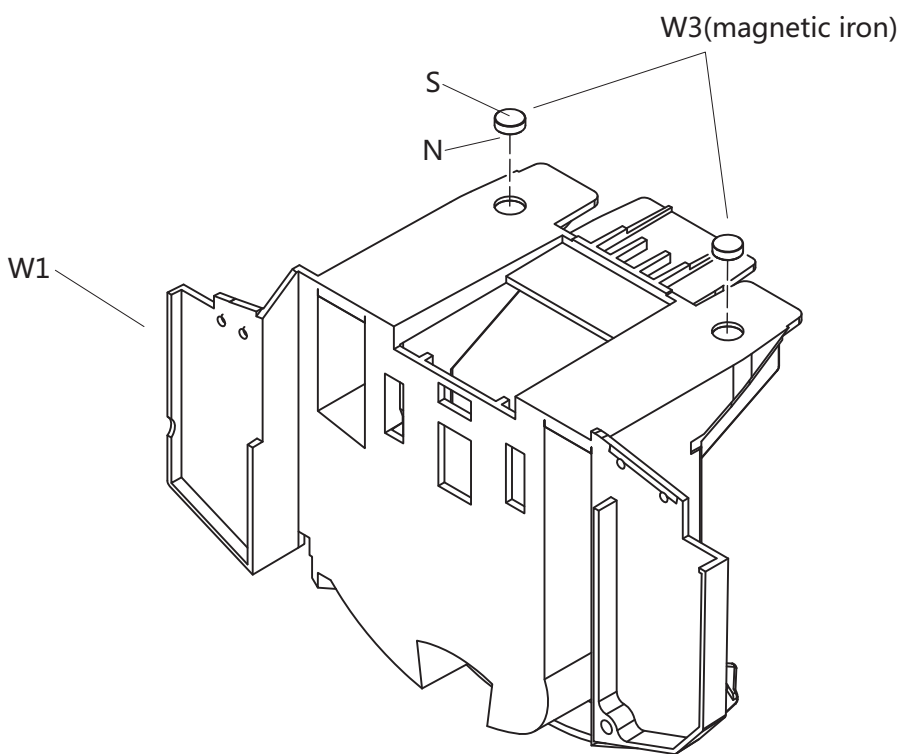
M1.6-6 x72

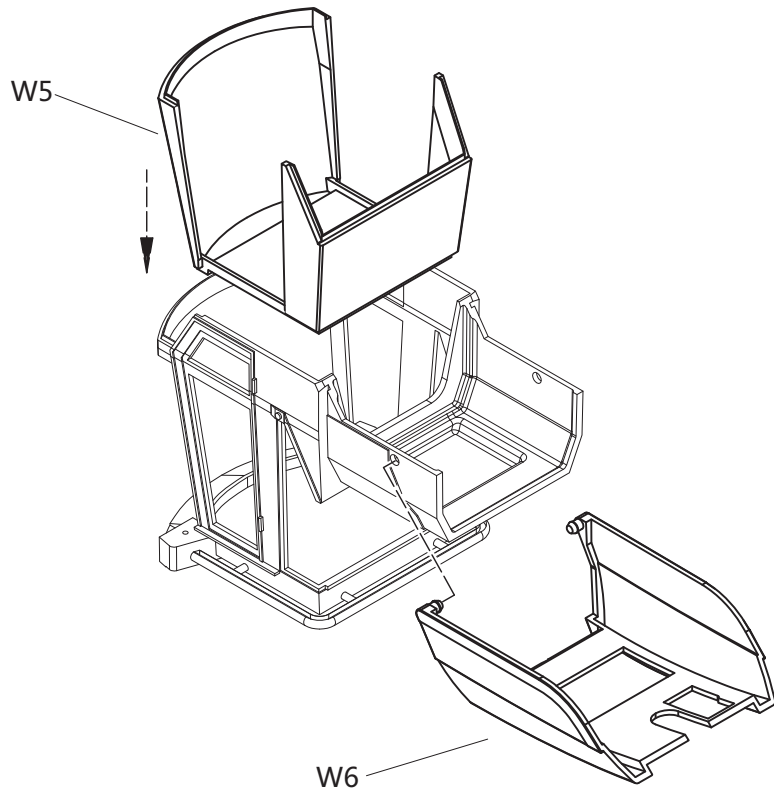
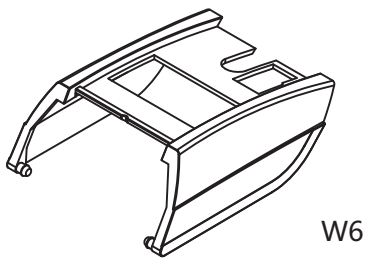
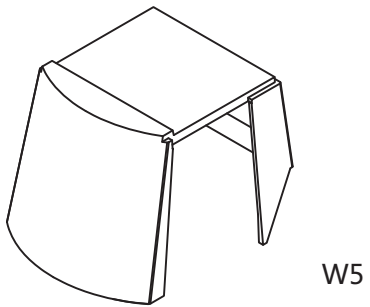
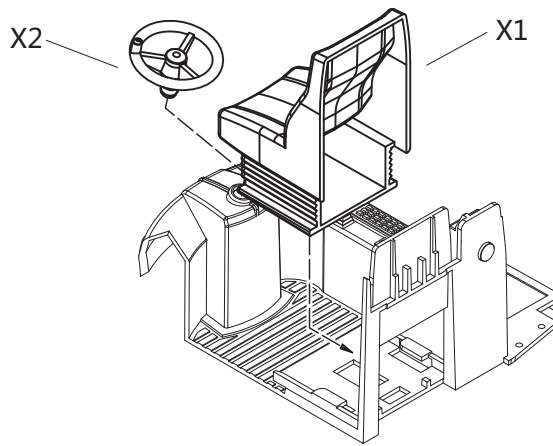
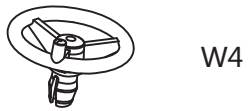
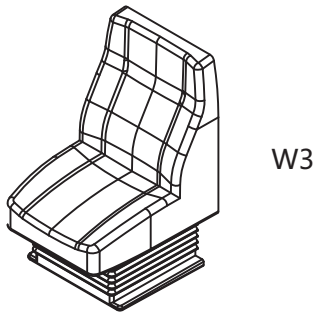
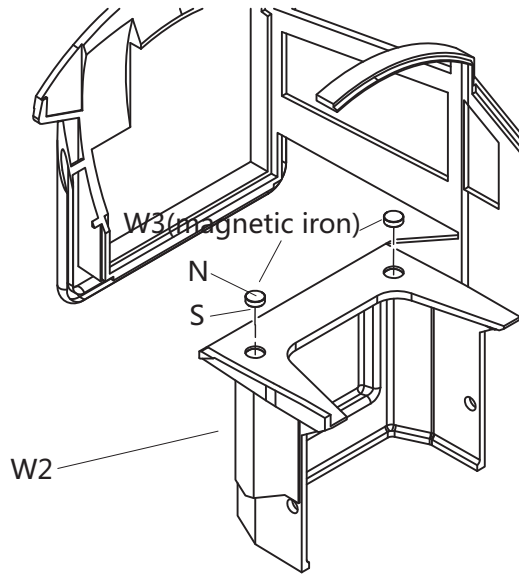
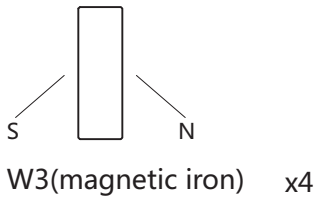


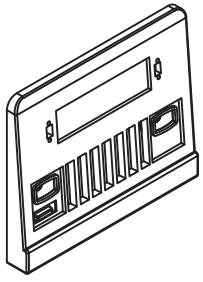
22



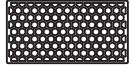
22



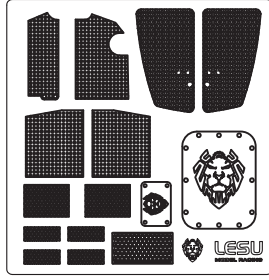




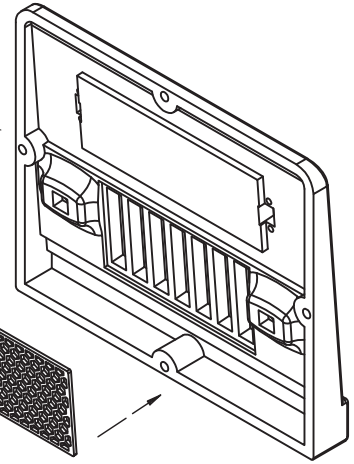
W7



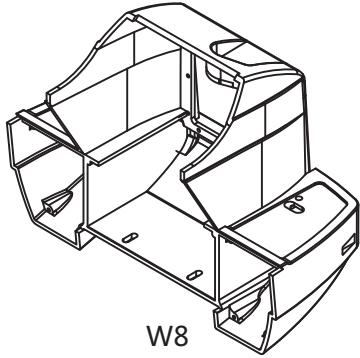
R3



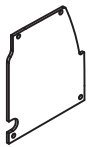
W7



R3



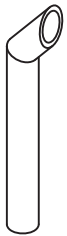
W8



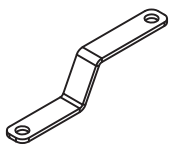
W9



W10



W11



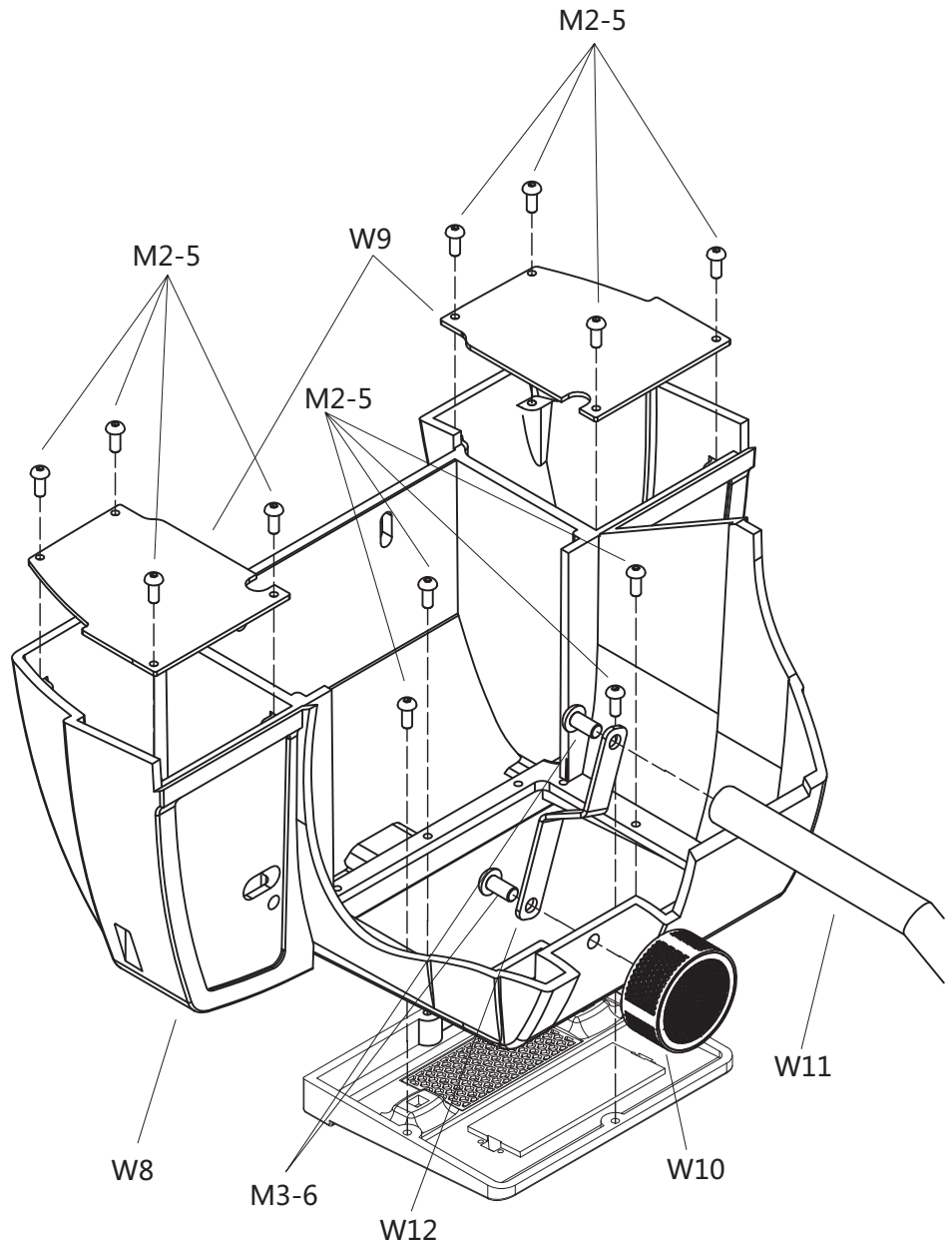
W12



M2-5 x12



M3-6 x12



M2-5

M2-5

W9

M2-5

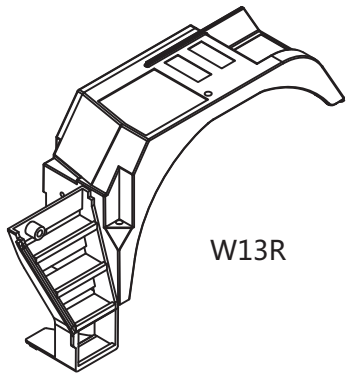
W8

M3-6

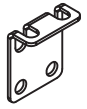
W12

W10

W11



W13R



W14



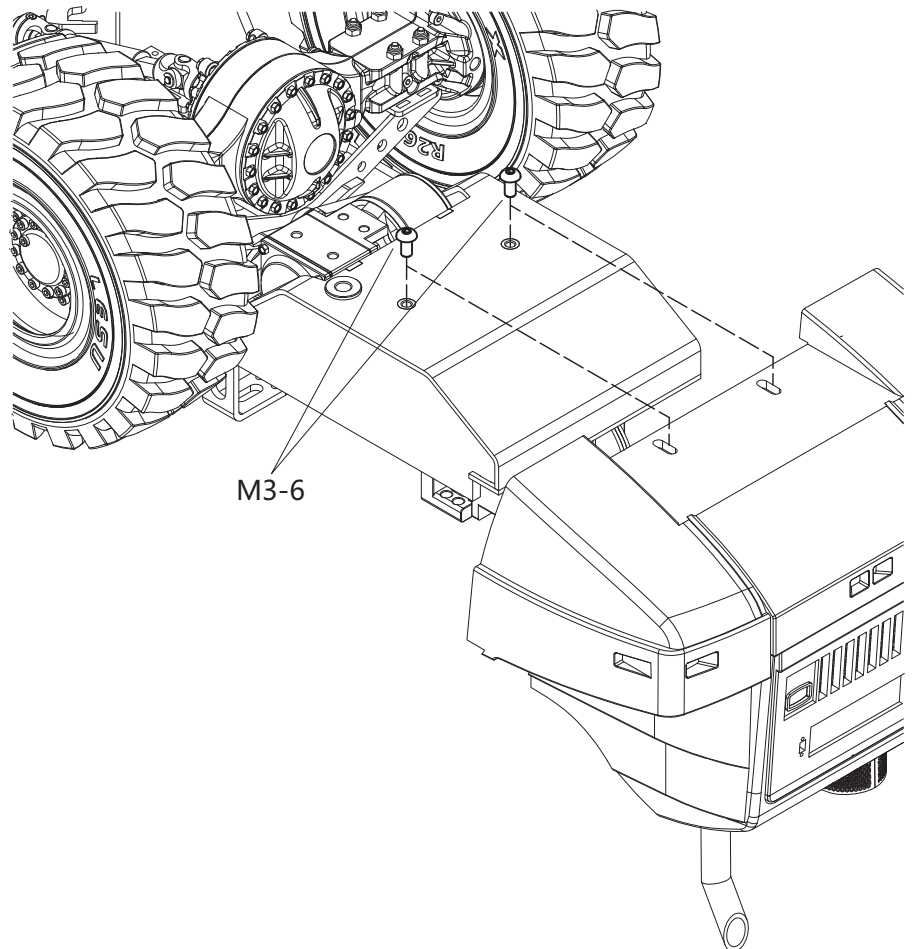
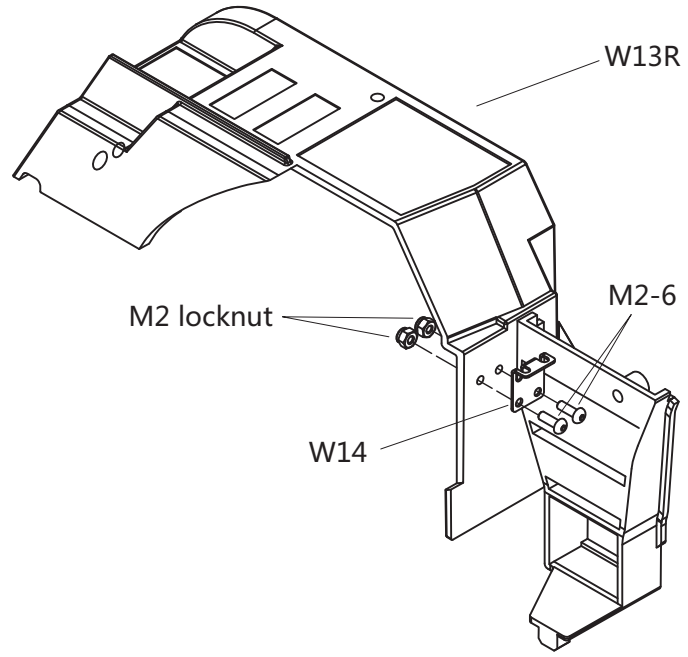
M2-6 x2



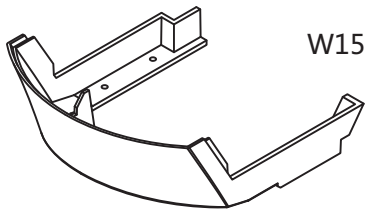
M2 locknut x2



M3-6 x2





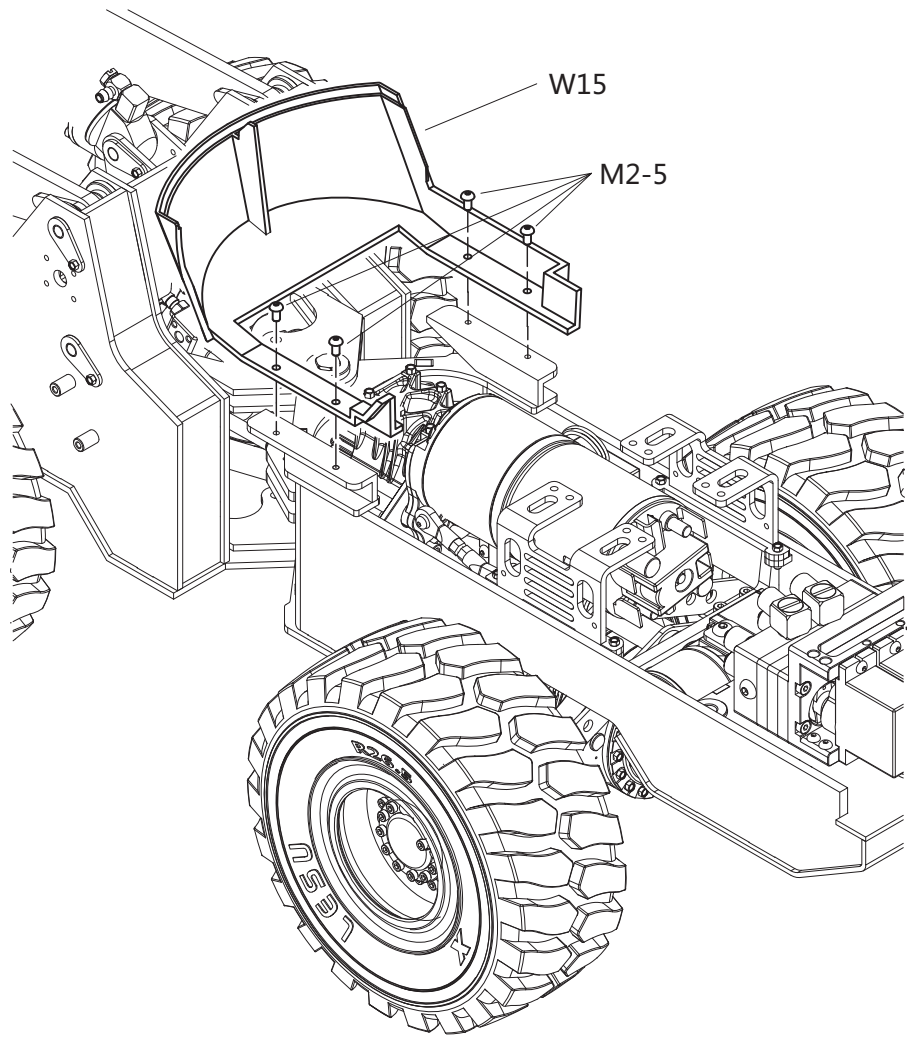


W15



M2-5

x4



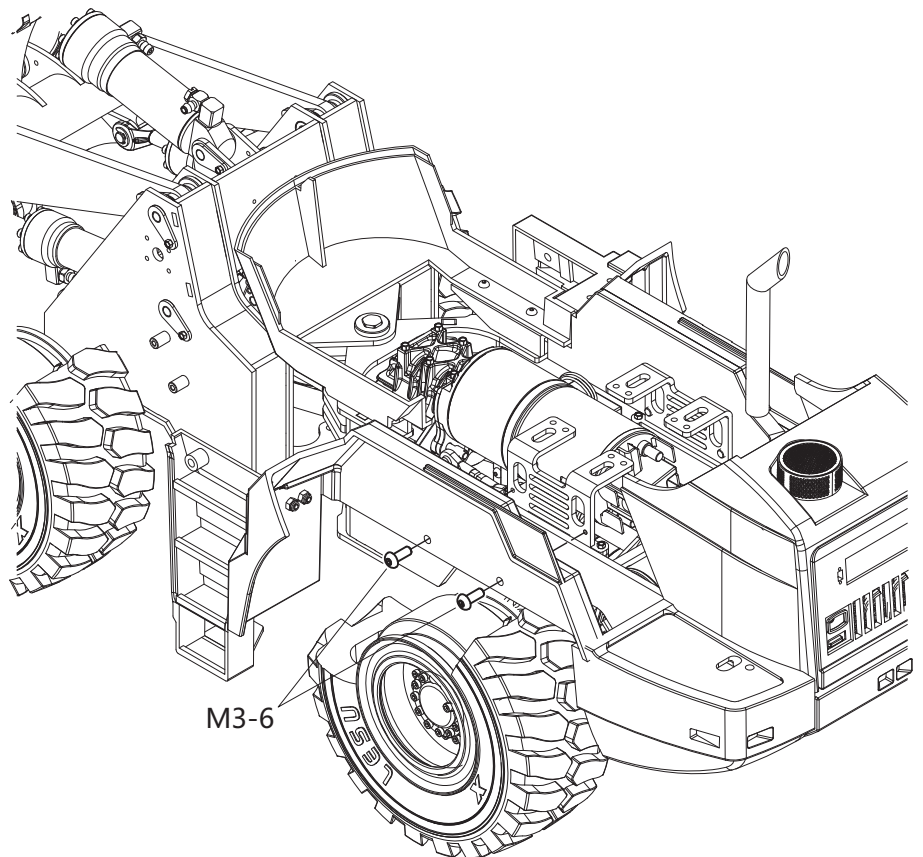
W15

M2-5

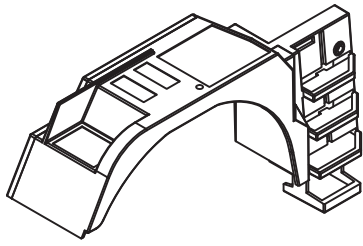


M3-6

x2

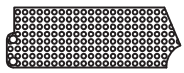
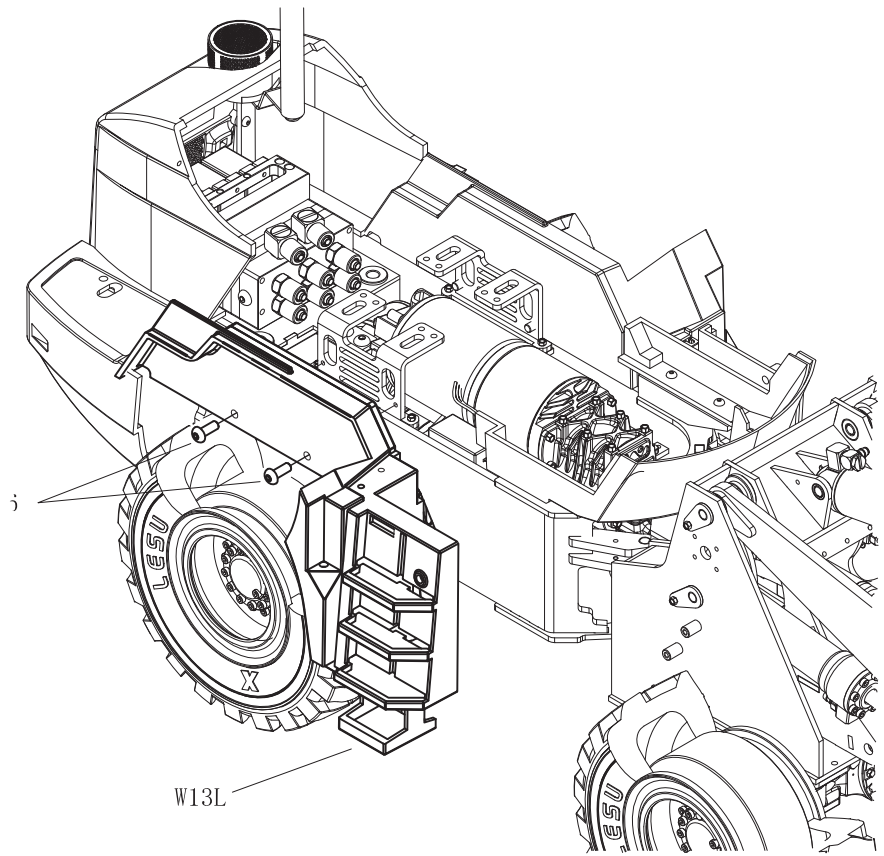


M3-6

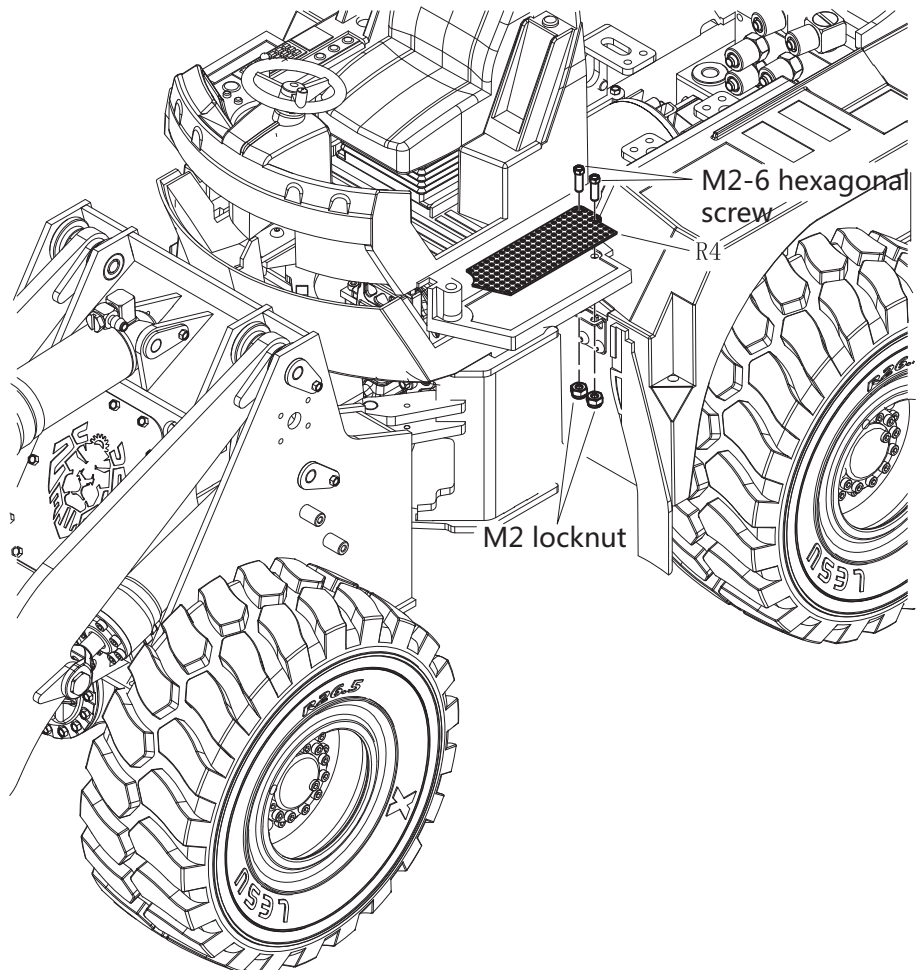


M3-6

x2



R4

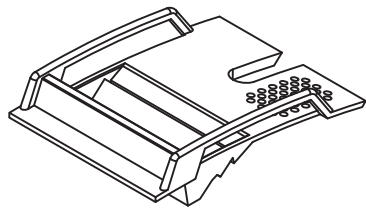
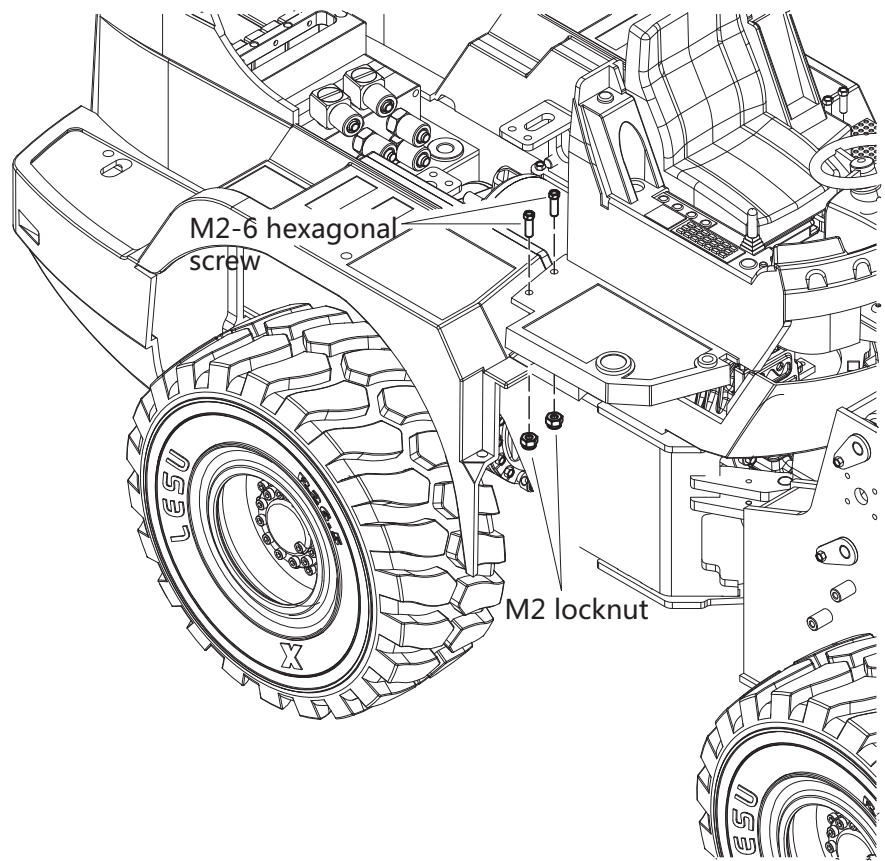




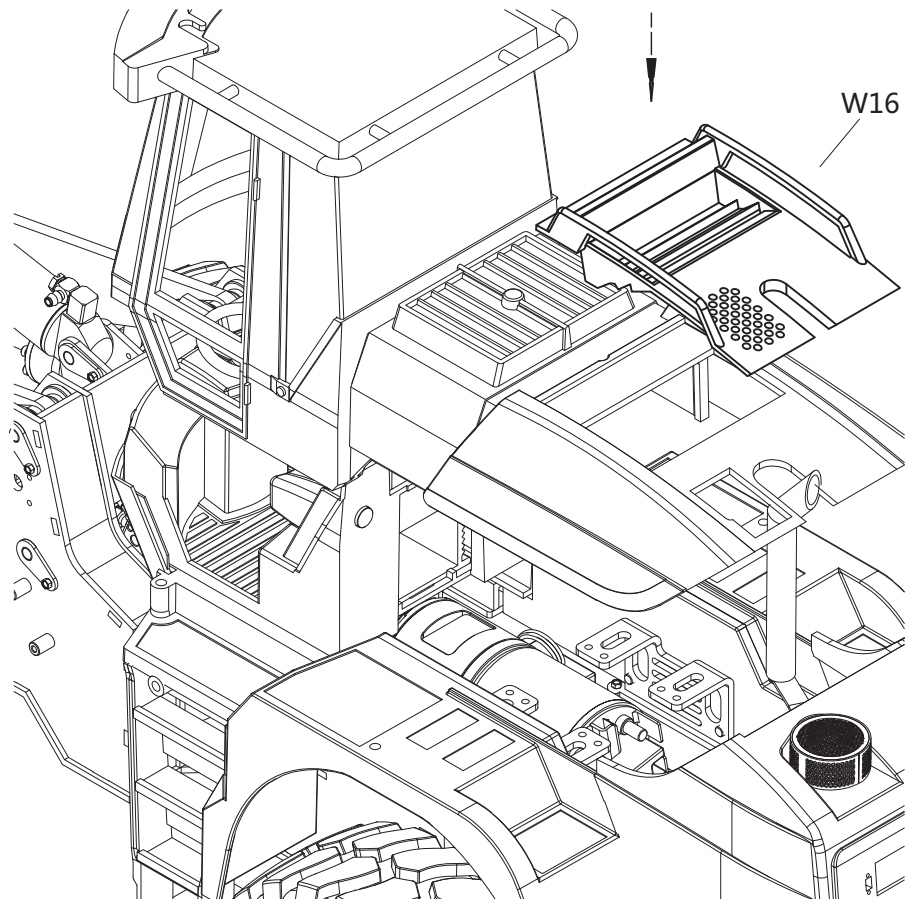
M2-6 hexagonal  
screw x4



M2 locknut x4



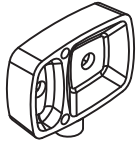
W16



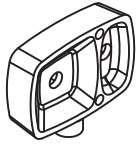
W16



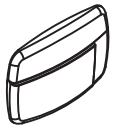
W17 x2



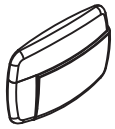
W17L



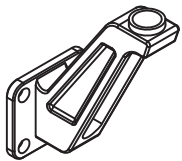
W17R



W18L

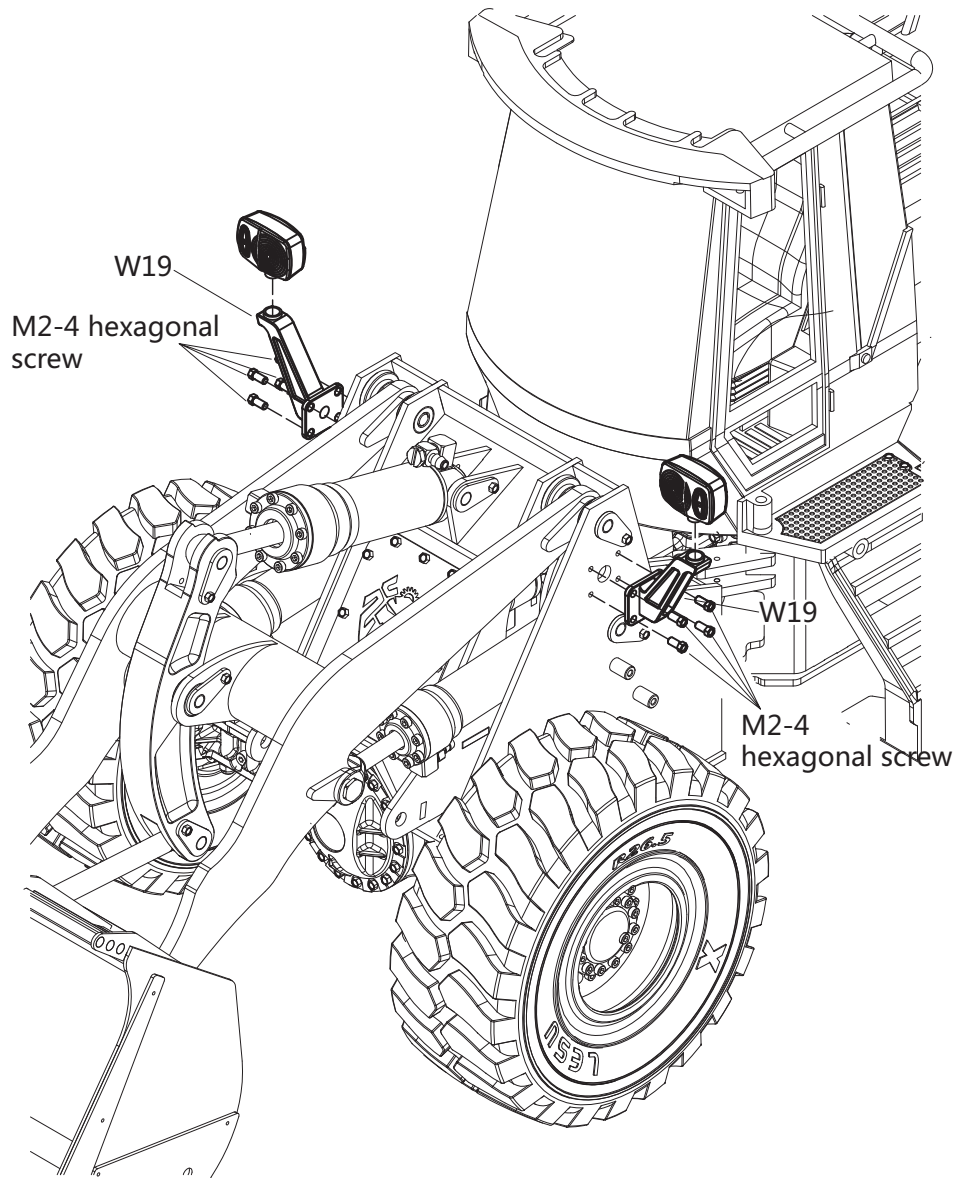
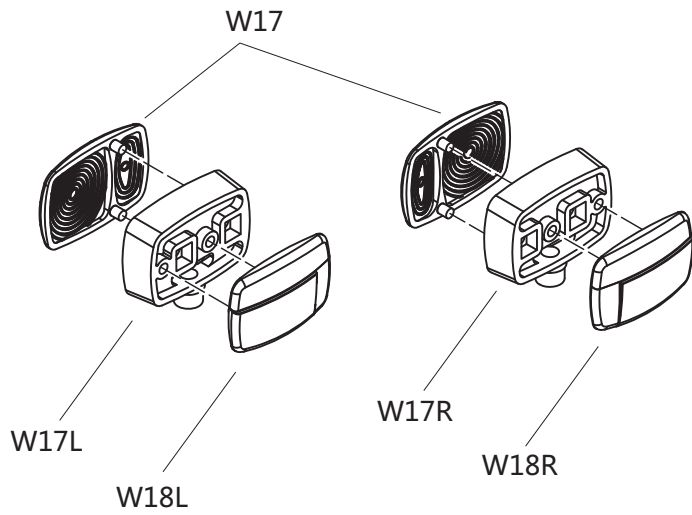


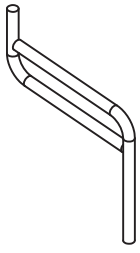
W18R



W19 x2

M2-4 hexagonal screw x8





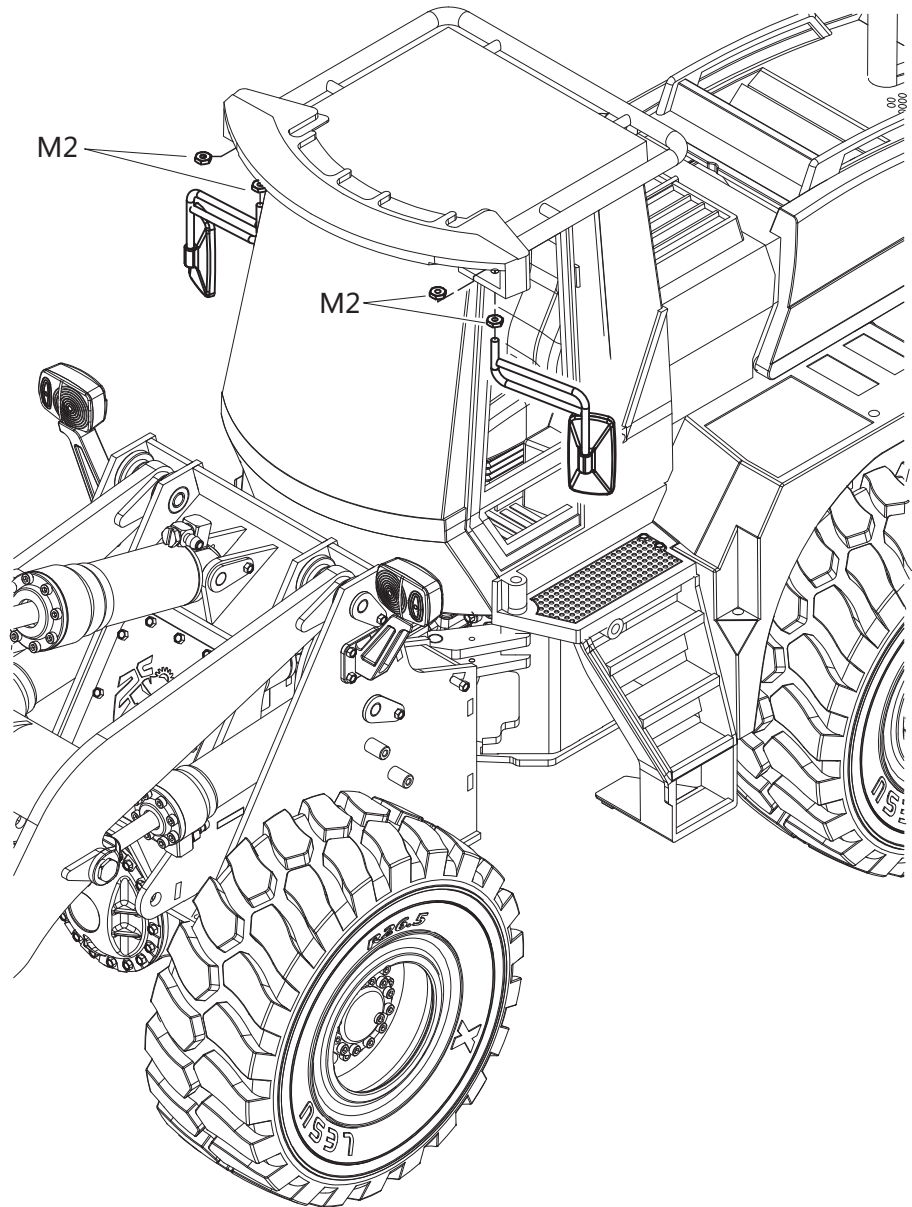
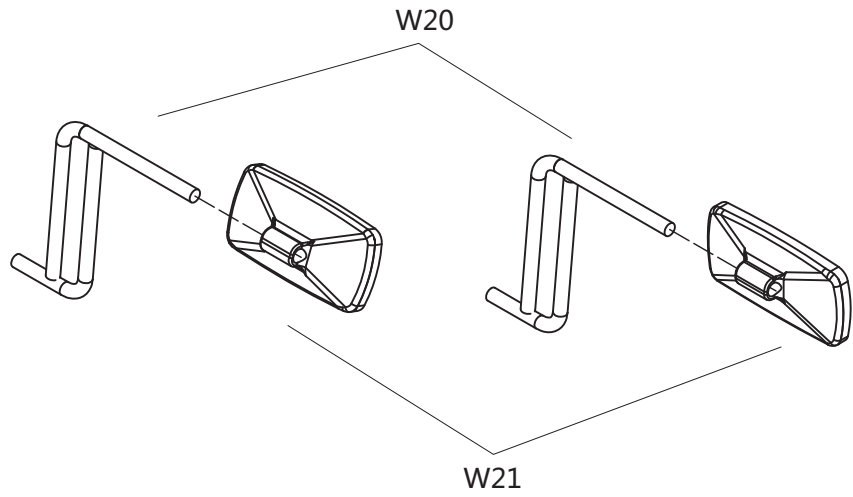
W20 x2

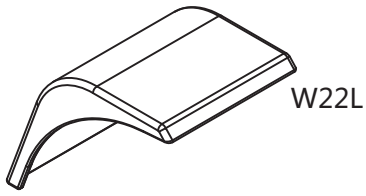


W21 x2

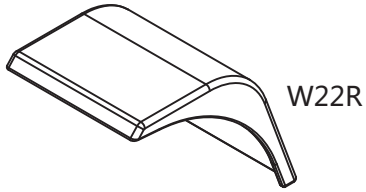


M2 x4

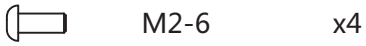




W22L

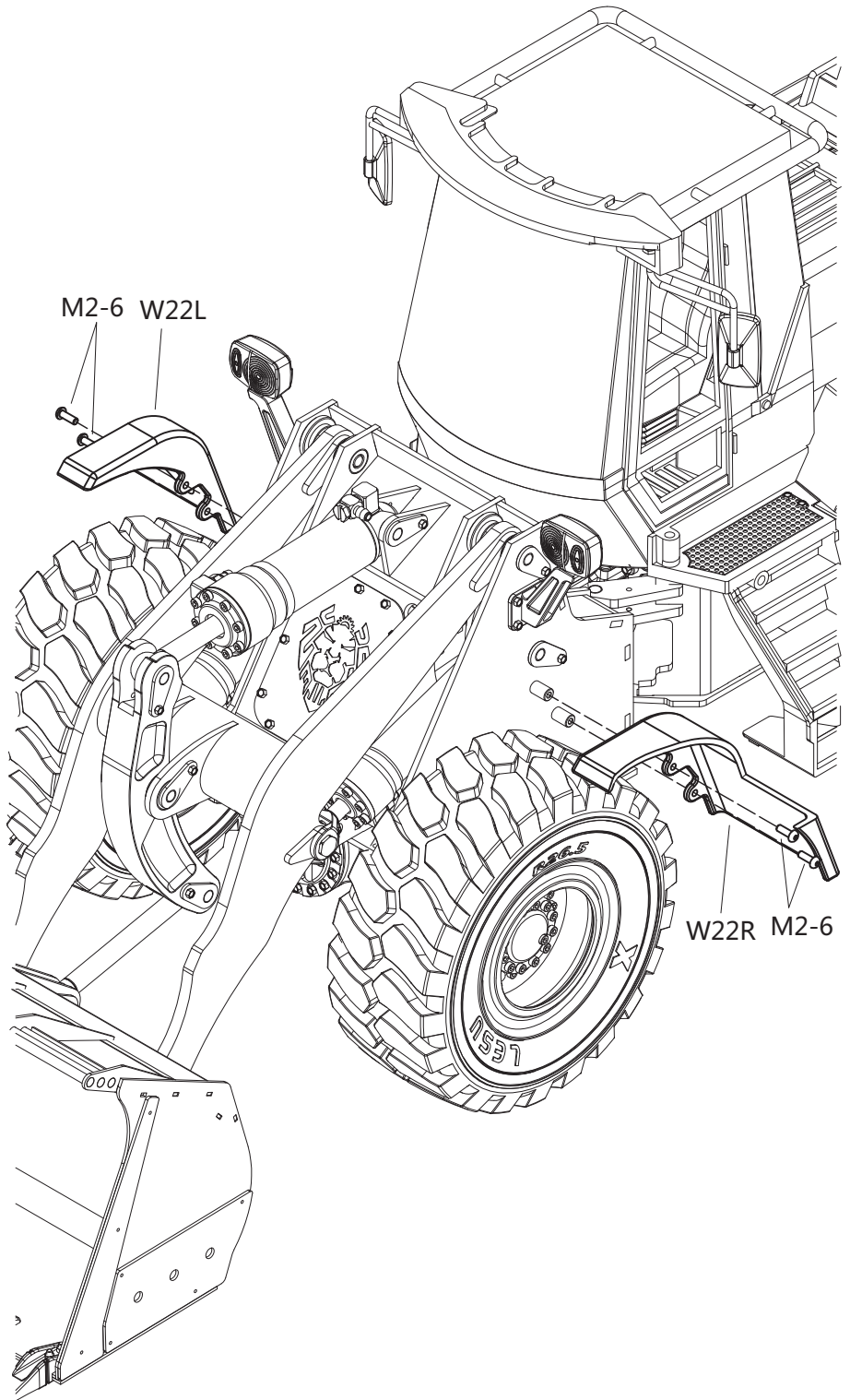


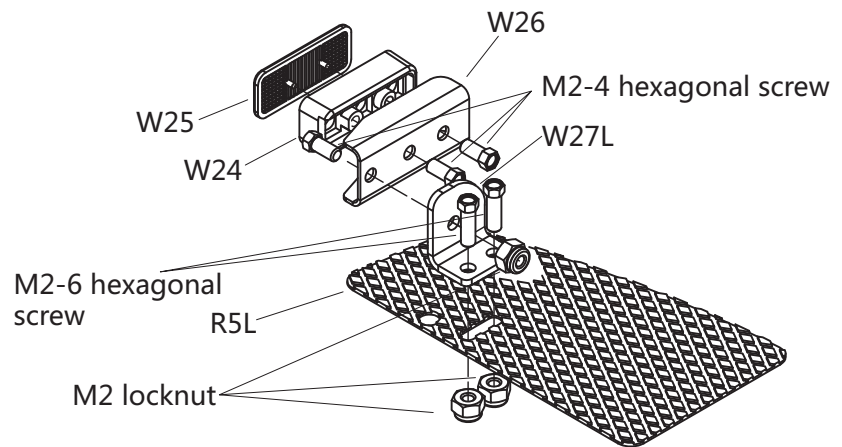
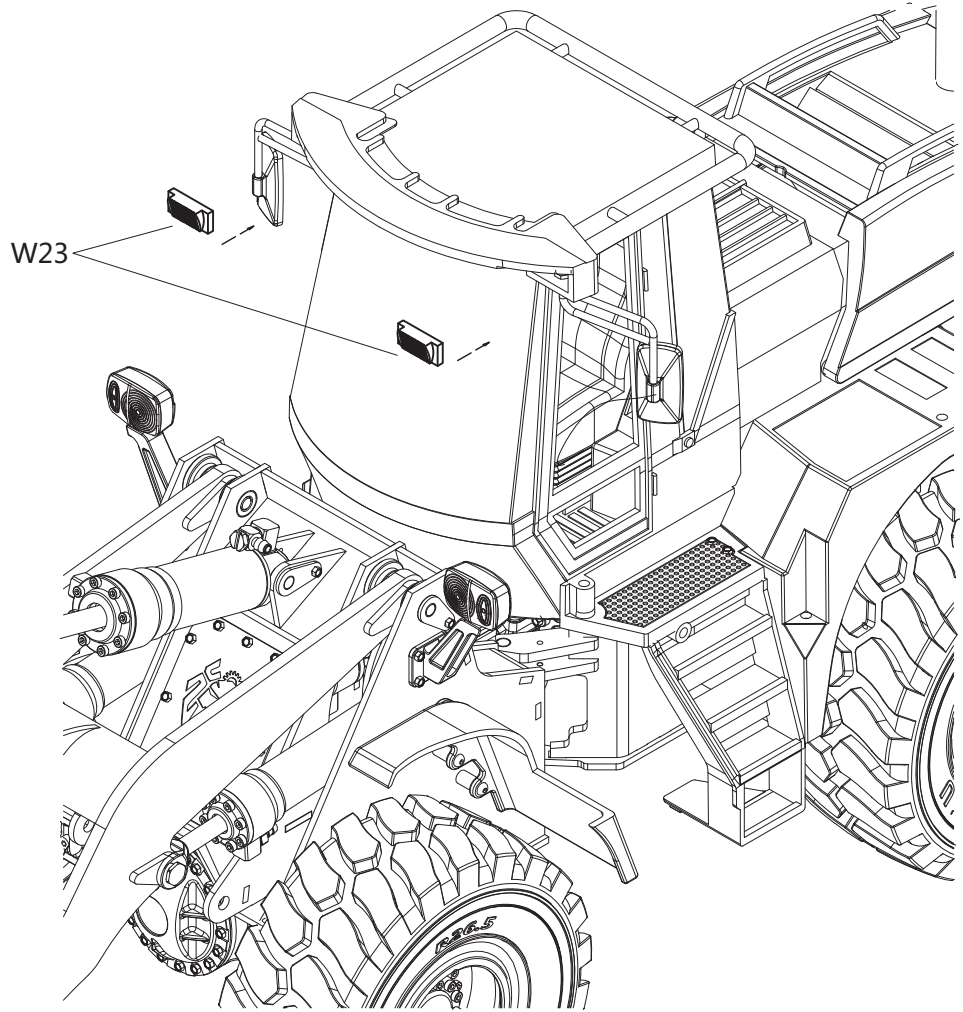
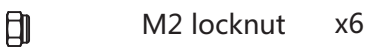
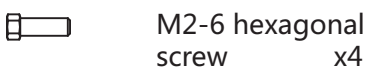
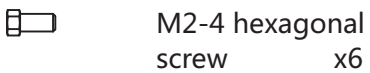
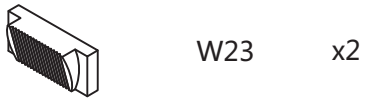
W22R



M2-6

x4







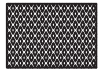
R6



R7L



R7R



R8 x2



R9 x4



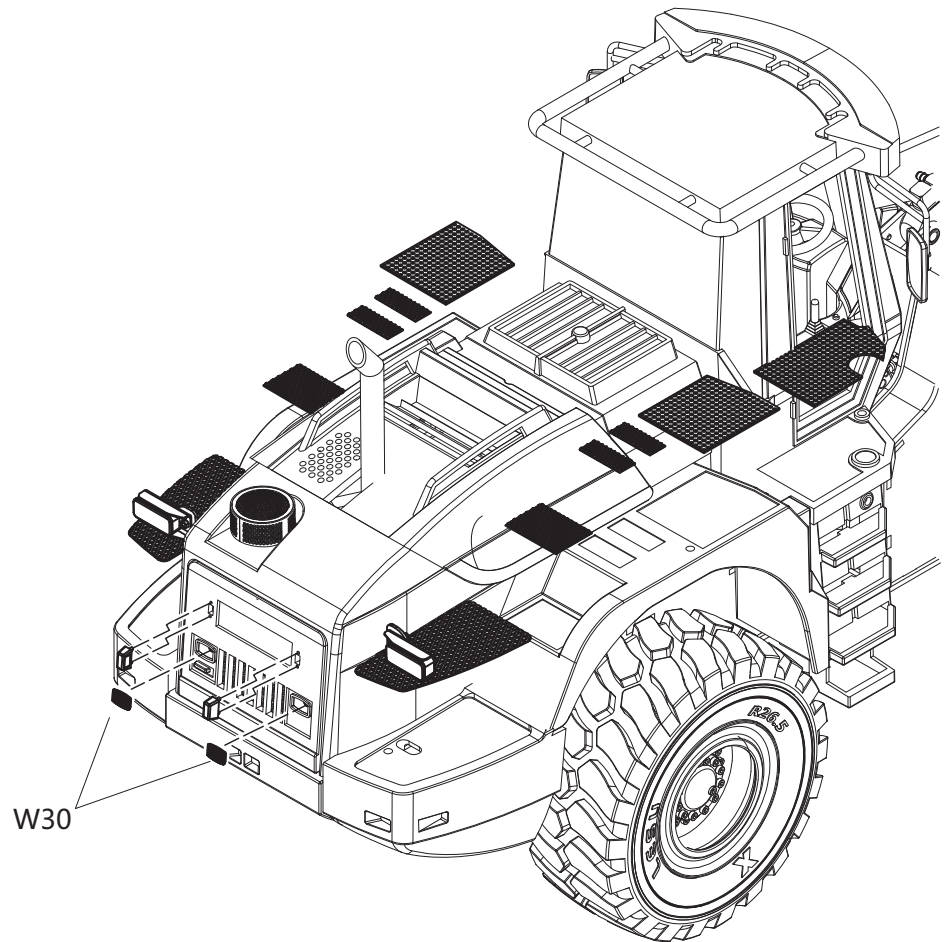
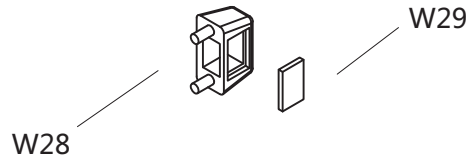
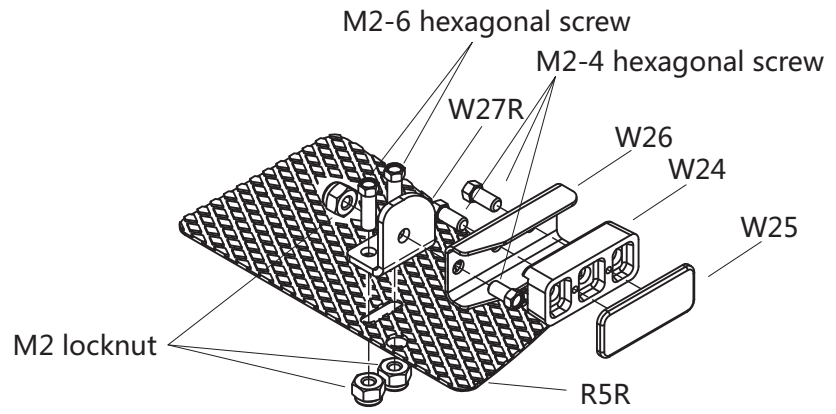
W28 x2



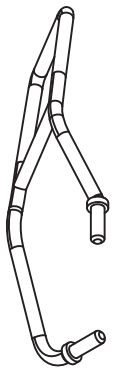
W29 x2



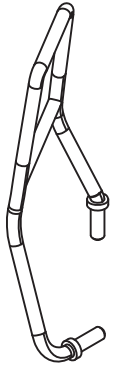
W30 x2



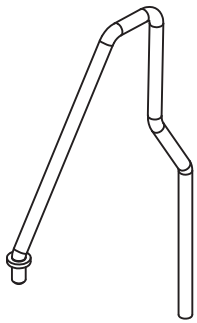




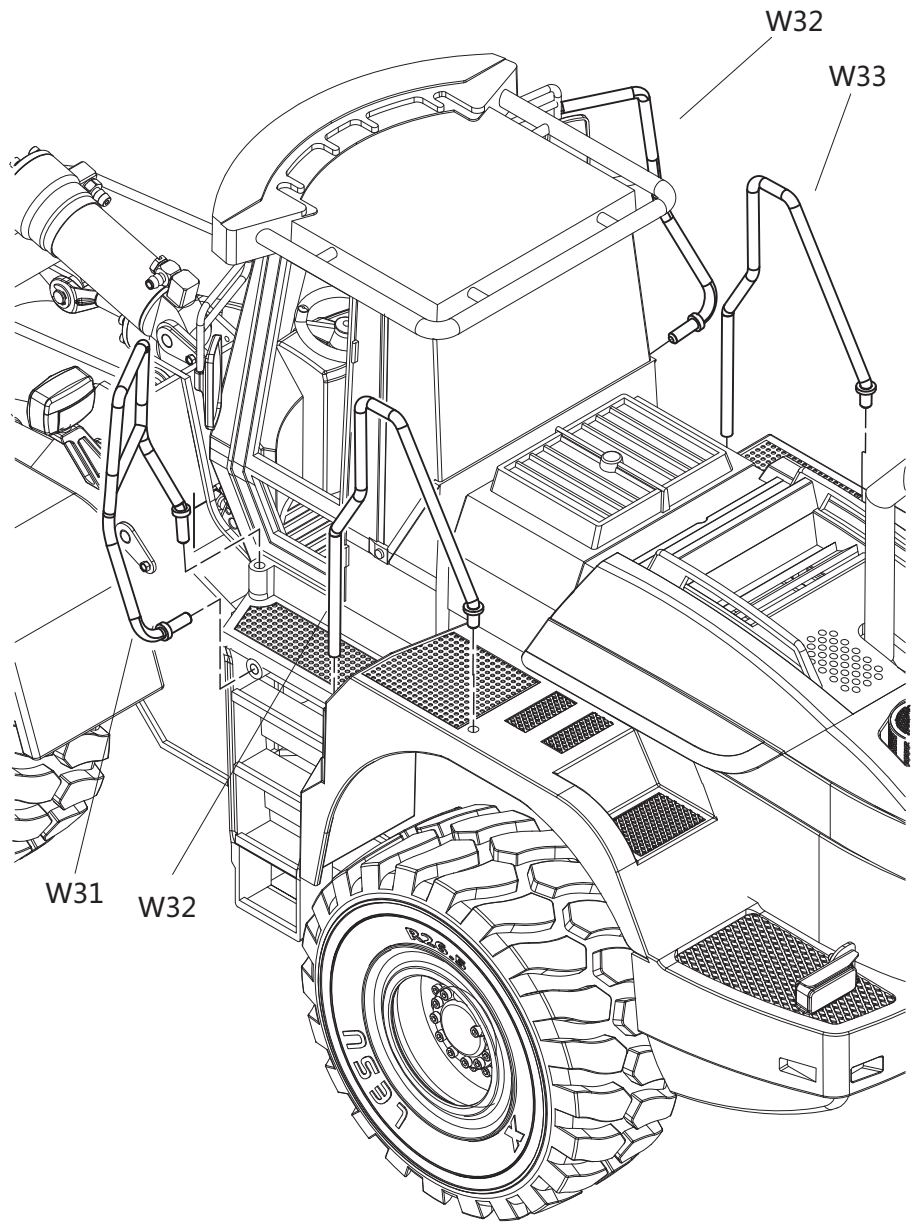
W31

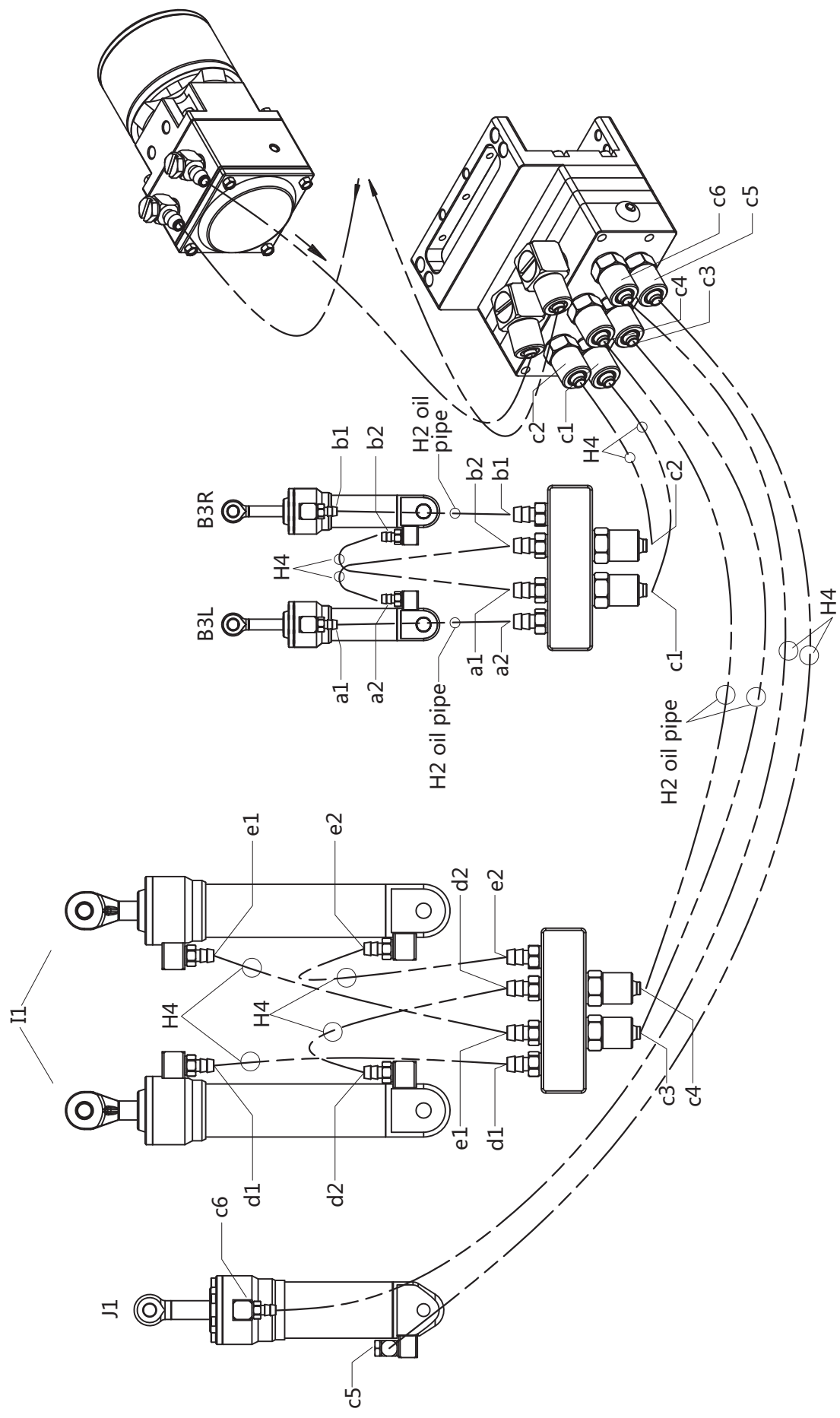


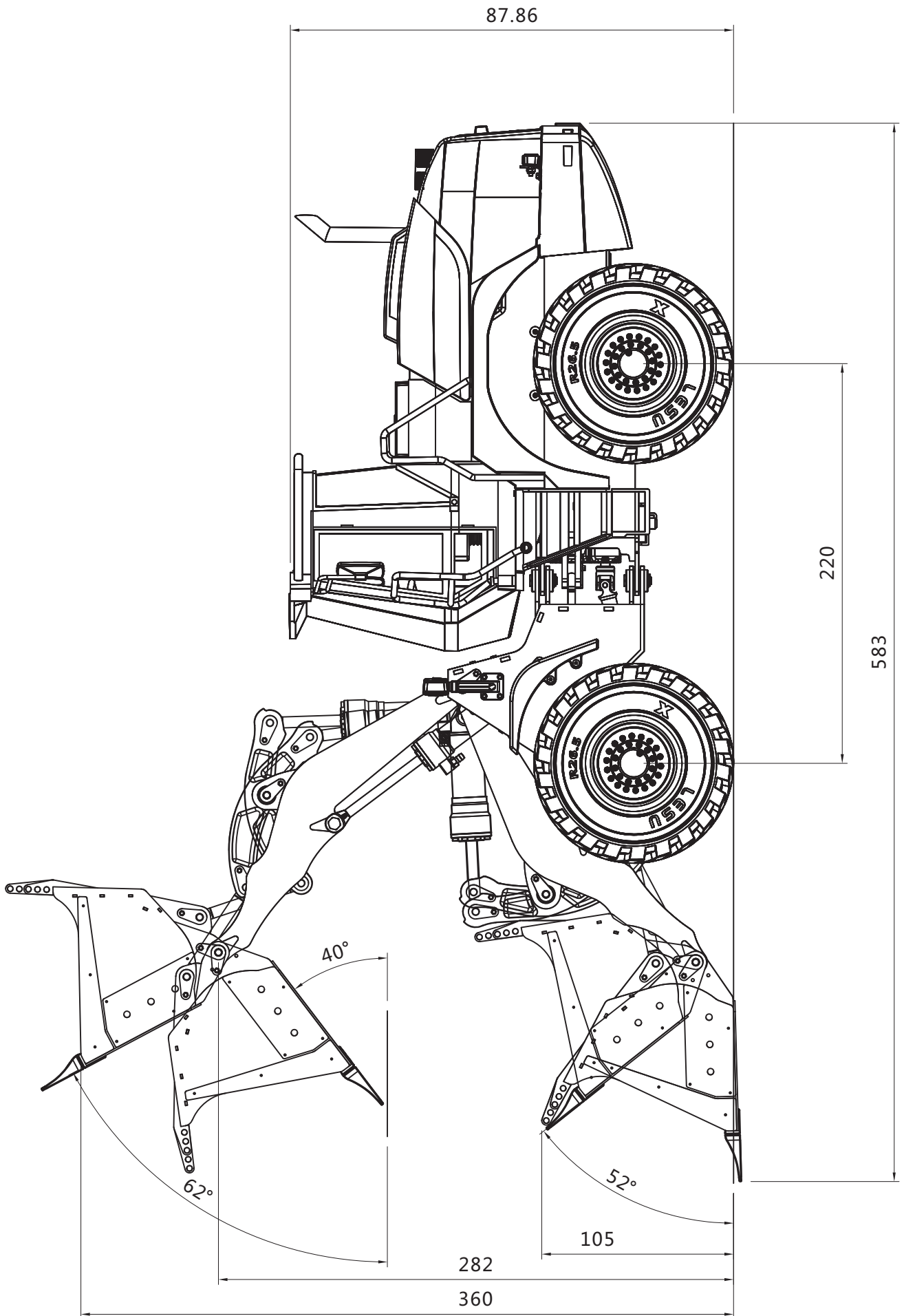
W32



W33 x2









# WHEEL LOADER RD-A0001

**Website:** WWW.RCLESU.COM    **Tel:** 15913171757

**Email:** RCLESU@163.COM    **Fax:** 0757-86611162

**Address :** Nanhai District of Foshan City, Guangdong Province,  
Danzao Town, Nansha Development Zone, Peng Industrial Park,  
LESU Model Technology Co., Ltd.